

Italscale 
The Italian Ladders that last forever

**PRODUCT
CATALOGUE
2 0 2 5**

Product
Catalogue
2025

Who

ITALSCALE Srl is a cutting edge company specialized in the production of ladders, scaffolds and modular elements scaffoldings.

Since it was founded in 1960, thanks to a constant production and commercial development, our Company still continues to occupy a prestigious position in the national and international market industry. Our ladders are designed and manufactured with the use of modern technologies and high quality materials.

We offer a highly functional product, made of stainless steel and aluminum, which ensure maximum stability and a long durability. Our products are practical and easy to assemble and they find applications both in the public and private industrial sectors.

Our products are used in various fields: from the construction industry to the Fire Department, from domestic use to the office one.

Where

Our headquarter is situated just a few kilometers off the highway and it hosts the commercial and administrative offices and a 2.500 square meters warehouse.

We offer an efficient and coordinated logistics plan to meet all customers requirements in terms of punctuality and velocity in the delivery of a wide range of products.

How

WORK SAFELY

Great attention is focused mainly on security and safety by creating models that meet the European standards in force.

For example the attacks are made of cast aluminum with peg and anti-twist groove.

WIDE RANGE OF USES

We offer a wide range of products that can be used for multiple uses and various professions, suitable for both indoor and outdoor usage, such as: Warehouses, Furniture for Offices, Shops, Archives, Bookstores, Libraries, Cemeteries, Trade Shows, Cleaning Companies, Fire Departments, Construction Sectors, Domestic Use, etc.

REPLACE WHAT YOU WANT

Spare parts are available for all models, for example the steps because they are not welded nor re-shaped but just screwed. This means that you can replace each single piece without having to replace the whole ladder.

CUSTOMIZED PRODUCTS

To meet the needs of customers, Italscale offers, on specific request for some models, the possibility to realize ladders which can be painted in a specific color. We offer also ladders that can be realized on design or with a different size from the standard.

OPTIONAL

There are many optional available, in order to create the ladder according to your needs.



Index

LADDERS

| | | | |
|---|----|--|----|
| Stool ladder SG..... | 8 | Double ladder C3 with one rising side..... | 46 |
| Resealable stool ladder SGR | 10 | Double ladder SD1 with one rising side | 48 |
| Stool ladder SGS | 12 | Double ladder SD2 with two rising side | 50 |
| Ladder with platform CCBR | 14 | Double ladder SD1C comfort with one rising side... | 52 |
| Ladder with resealable platform SP | 16 | Telescopic ladder ST..... | 54 |
| Ladder with platform CCBS | 18 | Double ladder VSP-1 with one rising side | 56 |
| Ramp ladder SR..... | 20 | Double ladder VSP-2 with two rising side | 58 |
| Ladder with platform S1P | 22 | Section ladder SC | 60 |
| Ladder with double platform S2P | 24 | Section ladder SCV..... | 62 |
| Double sided cross-over ladder with railing DBR.. | 26 | Supporting ladder F6 | 64 |
| Double sided cross-over ladder with railing DSR.. | 28 | Supporting ladder F10 | 66 |
| Frontal sliding ladder SF | 30 | Supporting ladder F11 | 68 |
| Frontal sliding ladder F12..... | 32 | Supporting ladder for agriculture AGR..... | 70 |
| Side sliding ladder SL..... | 34 | Italian ladder VTR..... | 72 |
| Side sliding ladder SLC | 36 | Cage ladder GAB..... | 74 |
| Stainless steel ladder with hook C1..... | 38 | Rope ladder COR..... | 76 |
| Ladder with hooks F5..... | 40 | Hook ladder VFG..... | 78 |
| Double ladder MG40 with one rising side.. | 42 | Italian grafting ladder VF | 80 |
| Double ladder MG80 with two rising side.. | 44 | | |

SCAFFOLDS

| | | | |
|-----------------------------|----|---------------------------------|----|
| Scaffolding Ladder 280..... | 84 | Scaffolding Ladder 280 FE | 86 |
|-----------------------------|----|---------------------------------|----|

SCAFFOLDING

| | | | |
|--------------------------------|----|--------------------------------|----|
| Wheeled Scaffolding N-01 | 90 | Wheeled Scaffolding N-03 | 92 |
|--------------------------------|----|--------------------------------|----|

SECURITY

| | |
|--|----|
| Kit and equipment for working at height safely | 96 |
|--|----|



LADDERS



Description

The ladder is made of stainless steel and the steps of anti-slip aluminum. The ladder is provided with handrail. The standard model has two fixed rear wheels and you can easily move it by lifting the front part.

It is also available on request the ladder SG/P version, which is supplied with two fixed rear wheels and two front rotating wheels with spring. With this version the ladder can be easily moved only by pushing it and the front wheels will be blocked by the weight of the operator while using the ladder.

STEPS: they are mounted on aluminum die-casted supports with rungs and anti-torsion groove and they are fixed onto the frames.

WELD FREE AND RIVETING FREE

Technical Data

WEIGHT CAPACITY: 150 kg
(weight related to a person with tools)

FRAMES: stainless steel
(60x20 mm + 40x20 mm + 30x15 mm)

PLATFORM: anti-slip aluminum
450x340 mm

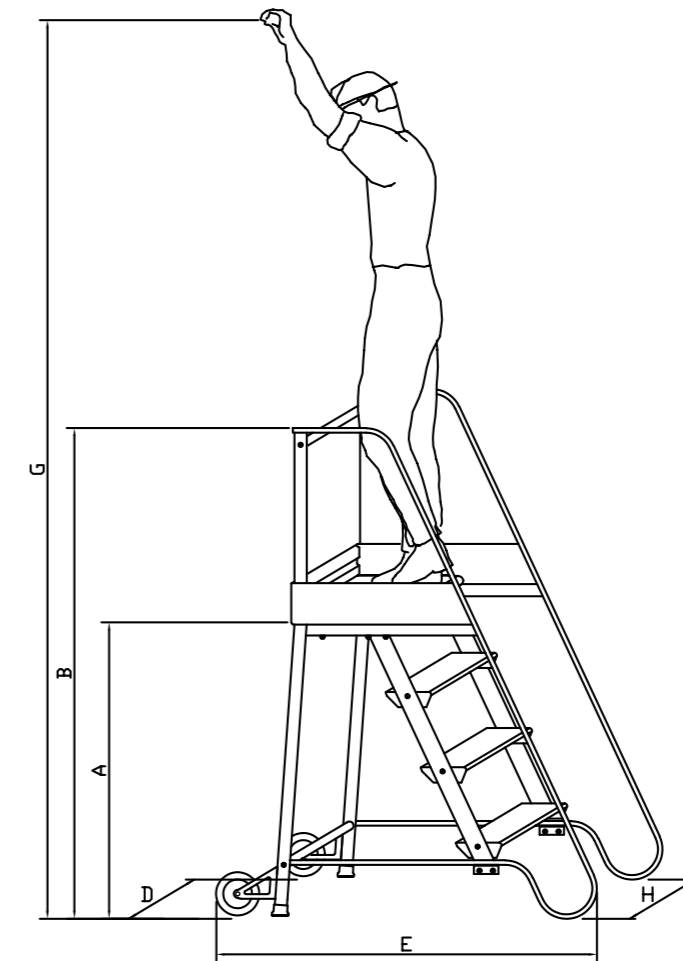
WHEELS: rear wheels \varnothing 140 mm
(front wheels SG/P \varnothing 100 mm)

STEPS: aluminum 150x23 mm

TOP WIDTH: 450 mm

SAFETY STANDARD:

UNI EN 131-2 , UNI EN 14183



| Code | Steps* | A | B | D | E | H | G | Weight |
|---------|--------|------|------|-----|------|-----|------|---------|
| S0302AS | 2 | 500 | 1120 | 500 | 960 | 510 | 2350 | 14,3 kg |
| S0303AS | 3 | 750 | 1360 | 520 | 1100 | 530 | 2600 | 17,2 kg |
| S0304AS | 4 | 1000 | 1600 | 550 | 1230 | 550 | 2850 | 20,2 kg |

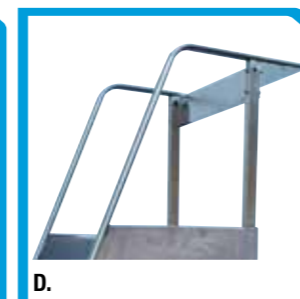
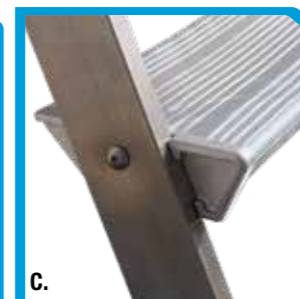
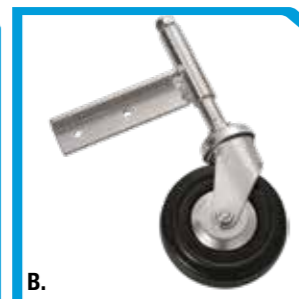
To optimize transport the ladder can be supplied disassembled

A. Joint and rotating wheel

B. Wheel holder kit

C. Anti-torsion supports

D. Version with Objects holder



* The platform is included in the number of the steps
Measures are in mm



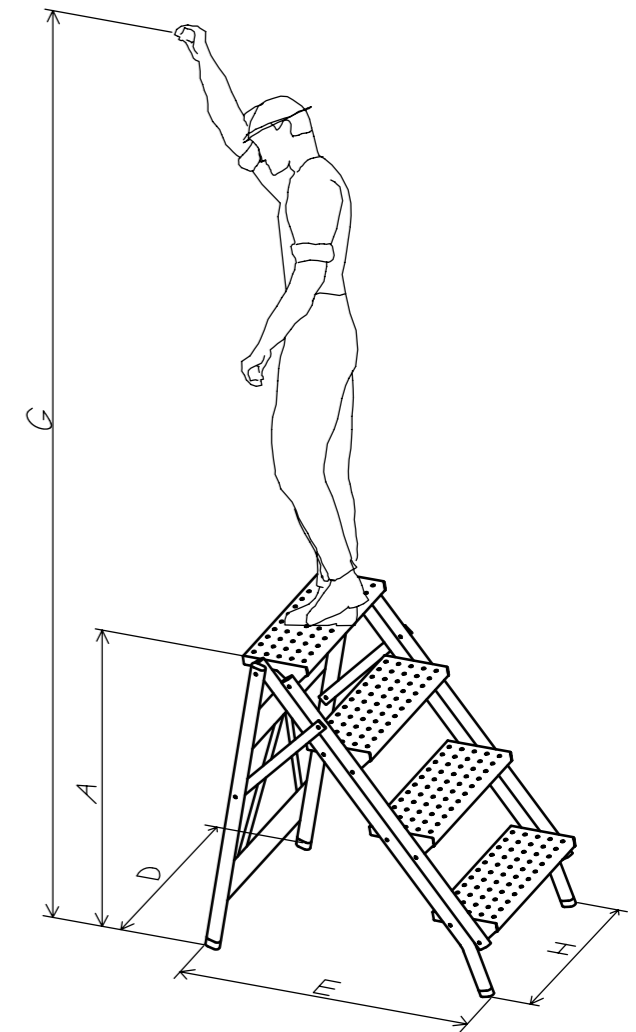
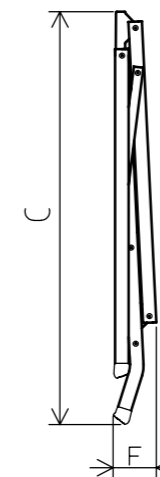
Description

The ladder is made of anodized aluminum with anti-slip aluminum steps. It is comfortable, resistant, light and designed for professional use; it offers maximum support to the operator.

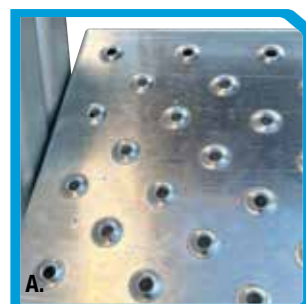
STEPS: they are screwed to the climbing sides with anti-torsion system.
WELD FREE AND RIVETING FREE

Technical Data

WEIGHT CAPACITY: 150 kg
(weight related to a person with tools)
STEPS: anti-slip aluminum 200x450mm
FRAMES: anodized aluminum 42x22mm
TOP WIDTH: 550mm
SAFETY STANDARD:
D.Lgs. n°81/2008



| Code | Steps | A | C | D | E | F | H | G | Weight |
|---------|-------|------|------|-----|-----|-----|-----|------|--------|
| S2702AR | 2 | 500 | 700 | 600 | 460 | 140 | 500 | 2350 | 4,5 kg |
| S2703AR | 3 | 750 | 1000 | 600 | 700 | 140 | 500 | 2600 | 6,5 kg |
| S2704AR | 4 | 1000 | 1300 | 600 | 940 | 140 | 500 | 2850 | 8,5 kg |



A. Anti-slip step detail
B. Anti-slip foot detail
C. Back reinforce cross detail

Measures are in mm



Description

The ladder is made of stainless steel and the steps of anti-slip aluminum. It is comfortable, practical and designed for any environment and use: domestic, sanitary, into warehouses and shops.

STEPS: they are mounted on aluminum die-casted supports with rungs and anti-torsion groove and they are fixed onto the frames.

WELD FREE AND RIVETING FREE

Technical Data

WEIGHT CAPACITY: 150 kg
(weight related to a person with tools)

FRAMES: stainless steel
(40x20 mm)

PLATFORM: anti-slip aluminum
450x500 mm for S2301
350x500 mm for S2302- S2303- S2304

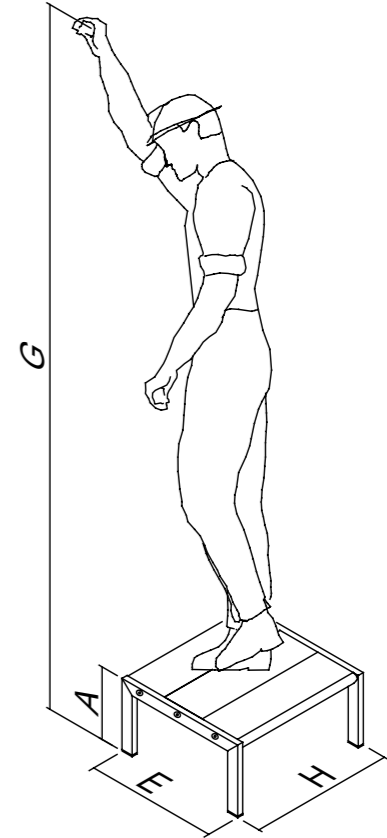
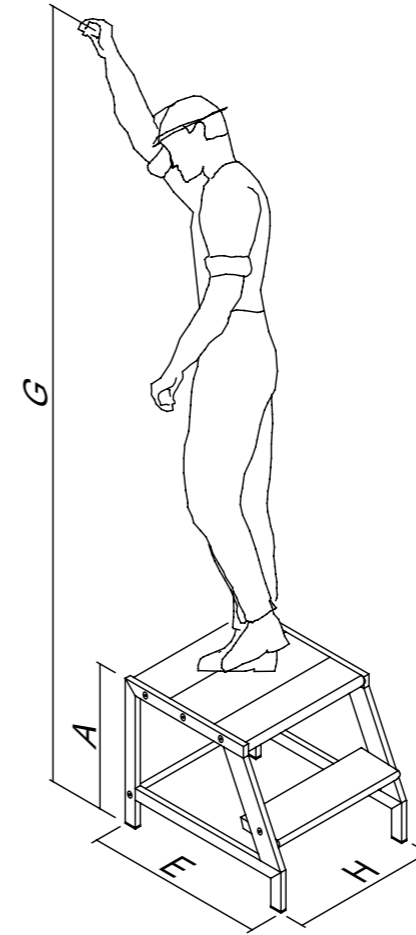
STEPS: anti-slip aluminum 150x23 mm

TOP WIDTH: 500 mm

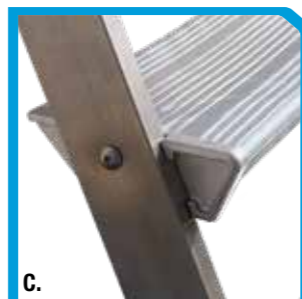
SAFETY STANDARD:

D. Lgs. n° 81/2008

To optimize transport the ladder can be supplied disassembled



| Code | Steps* | A | E | G | H | Weight |
|-------|--------|------|-----|------|-----|--------|
| S2301 | 1 | 250 | 460 | 2100 | 500 | 5 kg |
| S2302 | 2 | 500 | 510 | 2350 | 500 | 10 kg |
| S2303 | 3 | 750 | 630 | 2600 | 500 | 12 kg |
| S2304 | 4 | 1000 | 740 | 2850 | 500 | 14 kg |



A. One step stool ladder
B. Platform in anti-slippery aluminum
C. Anti-torsion supports

* The platform is included in the number of the steps
Measures are in mm



Description

CCBR ladder with platform is made of stainless steel. The platform and the steps are in anti-slip aluminum. The ladder is provided with handrail.

It is available in five versions:

- **CCBR/A** (photo A, from 4 to 13 steps): two rear fixed wheels and two rotating front wheels with spring
- **CCBR/MA** (photo B, from 4 to 13 steps): two rear fixed wheels and two front steel handles (the two rotating wheels and the braking device are not included)
- **CCBR/AA** (photo C, from 4 to 8 steps): two rotating rear wheels with spring and two rotating front wheels with spring
- **CCBR/P** (photo D, from 4 to 13 steps): two rear fixed wheels and a front braking device composed by two rotating wheels and a brake pedal
- **CCBR/F** (photo E, from 4 to 13 steps): two rear fixed wheels and two rotating front wheels with brake lever.

WARNING: in the P and F versions the user must activate the brake pedal before using the ladder.

STEPS: they are mounted on aluminum die-casted supports with rungs and anti-torsion groove and they are fixed onto the frames.

WELD FREE AND RIVETING FREE

Technical Data

WEIGHT CAPACITY: 150 kg
(weight related to a person with tools)

FRAMES: stainless steel
(60x20 mm + 40x20 mm + 30x15 mm)

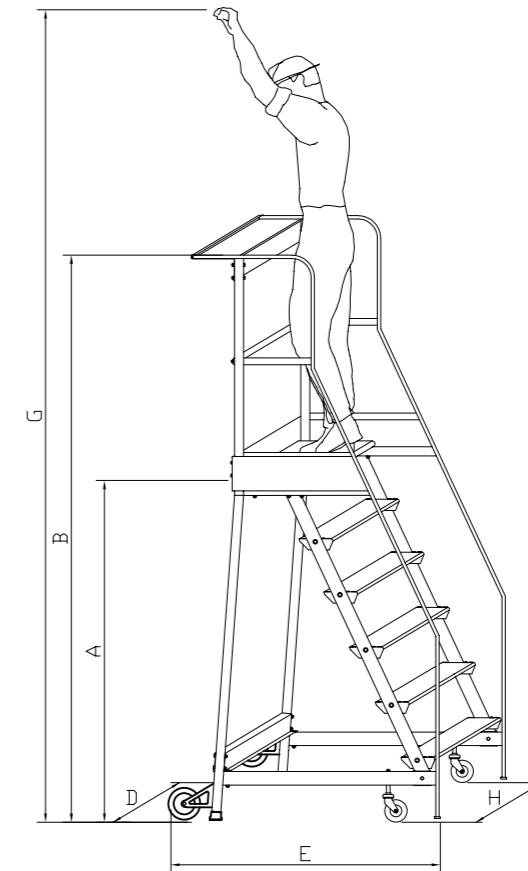
PLATFORM: anti-slip aluminum
450x340 mm

WHEELS: rear wheels \varnothing 140 mm,
front wheels \varnothing 100 mm

STEPS: aluminum 150x23 mm

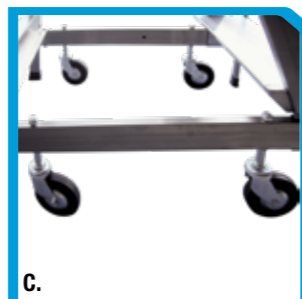
TOP WIDTH: 450 mm

SAFETY STANDARD:
D. Lgs. n° 81/2008

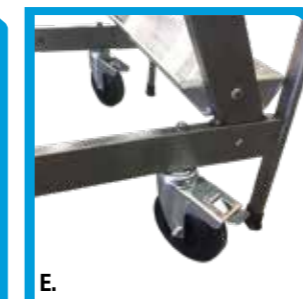


| Code | Steps* | A | B | D | E | G | H | Weight | |
|--------|--------|------|------|-----|------|------|-----|---------|-----------|
| S0304A | 4 | 1000 | 2000 | 580 | 930 | 2850 | 490 | 26 kg | 30 kg** |
| S0305A | 5 | 1250 | 2250 | 620 | 1100 | 3100 | 510 | 28,4 kg | 32,5 kg** |
| S0306A | 6 | 1500 | 2500 | 650 | 1220 | 3350 | 530 | 31,8 kg | 36 kg** |
| S0307A | 7 | 1750 | 2750 | 680 | 1340 | 3600 | 550 | 35,5 kg | 39,5 kg** |
| S0308A | 8 | 2000 | 3000 | 710 | 1460 | 3850 | 570 | 39 kg | 43 kg** |
| S0309A | 9 | 2250 | 3250 | 740 | 1600 | 4100 | 590 | 45,5 kg | 49,6 kg** |
| S0310A | 10 | 2500 | 3500 | 770 | 1720 | 4350 | 610 | 49,9 kg | 54 kg** |
| S0311A | 11 | 2750 | 3750 | 800 | 1900 | 4600 | 630 | 54,1 kg | 58,3 kg** |
| S0312A | 12 | 3000 | 4000 | 830 | 2040 | 4850 | 650 | 57,7 kg | 62 kg** |
| S0313A | 13 | 3250 | 4250 | 860 | 2200 | 5100 | 670 | 61,9 kg | 66,2 kg** |

To optimize transport the ladder can be supplied disassembled



A. CCBR/A Version
B. CCBR/MA Version
C. CCBR/AA Version



*The platform is included in the number of the steps
** Weight of ladder with braking device
Measures are in mm

D. CCBR/P Version
E. CCBR/F Version



Resealable ladder

Description

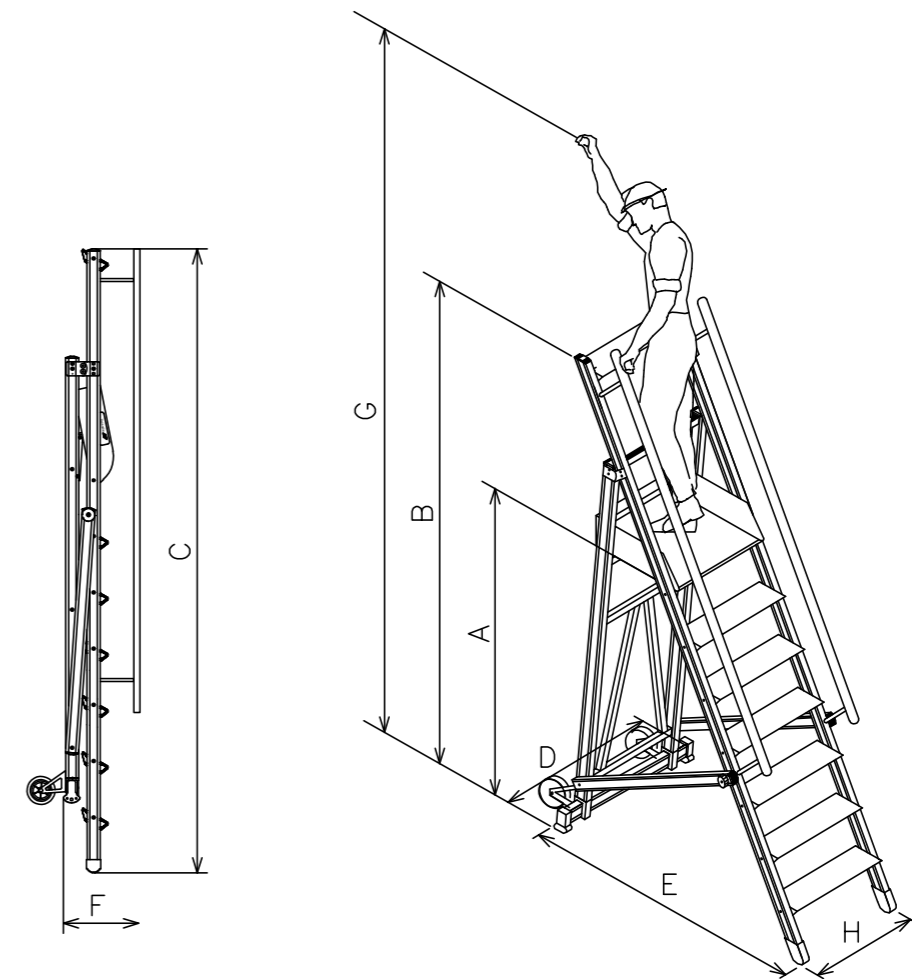
The ladder is made with anodized aluminum frame, aluminum anti-slip steps and aluminum platform. The ladder is equipped with handrail, rear stabilizer base which prevents lateral tipping and rear wheels that make it easier to move. The inclination of the step section at 60° and the 150 mm steps make the climb more comfortable. It can be easily closed in order to reduce its dimensions for storage and transport.

STEPS: they are mounted on aluminum die-casted supports with rungs and anti-torsion groove and they are fixed onto the frames.

WELD FREE AND RIVETING FREE

Technical Data

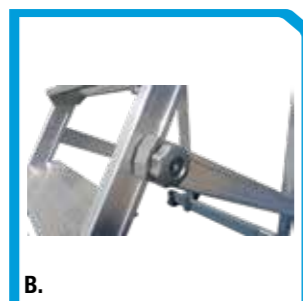
WEIGHT CAPACITY: 150 kg
(weight related to a person with tools)
FRAMES: anodized aluminum 65x30 mm
PLATFORM: anti-slip aluminum 490x490 mm
WHEELS: rear wheels \varnothing 140 mm
STEPS: aluminum 150x23 mm
TOP WIDTH: 570 mm
SAFETY STANDARD:
D. Lgs. n° 81/2008



| Code | Steps* | A | B | C | D** | E | F | G | H | Weight |
|-------|--------|------|------|------|-----|------|-----|------|-----|--------|
| S2404 | 4 | 1000 | 2000 | 2270 | 900 | 1290 | 380 | 2850 | 580 | 23 kg |
| S2405 | 5 | 1250 | 2250 | 2550 | 900 | 1450 | 380 | 3100 | 580 | 26 kg |
| S2406 | 6 | 1500 | 2500 | 2830 | 900 | 1610 | 380 | 3350 | 580 | 29 kg |
| S2407 | 7 | 1750 | 2750 | 3110 | 900 | 1770 | 380 | 3600 | 580 | 32 kg |
| S2408 | 8 | 2000 | 3000 | 3390 | 900 | 1930 | 380 | 3850 | 580 | 35 kg |
| S2409 | 9 | 2250 | 3250 | 3670 | 900 | 2210 | 380 | 4100 | 580 | 38 kg |
| S2410 | 10 | 2500 | 3500 | 3950 | 900 | 2490 | 380 | 4350 | 580 | 41 kg |



A.

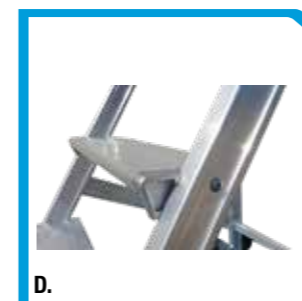


B.



C.

A. Ladder in resting position
B. Handwheel for closure of the ladder
C. Platform



D.

* The platform is included in the number of the steps
** Measure "D" can be reduced to 680 mm at latest, on request
Measures are in mm

D. Anti-slip steps



Description

CCBS ladder with platform is made of stainless steel. The platform and the steps are in anti-slip aluminum. The ladder is provided with handrail.

To comply with European norms the ladder comes standard with lateral stabilizers which prevent the overturning of the ladder during use.

It is available in four versions:

- **CCBS/A** (photo A, from 4 to 13 steps): two rear fixed wheels and two rotating front wheels with spring.

- **CCBS/MA** (photo B, from 4 to 20 steps): two rear fixed wheels and two front steel handles (the two rotating wheels and the braking device are not included).

- **CCBS/P** (photo C, from 4 to 20 steps): two rear fixed wheels and a front braking device composed by two rotating wheels and a brake pedal.

- **CCBS/F** (photo D, from 4 to 20 steps): two rear fixed wheels and two rotating front wheels with brake lever.

WARNING: in the P and F versions the user must activate the brake pedal before using the ladder.

STEPS: they are mounted on aluminum die-casted supports with rungs and anti-torsion groove and they are fixed onto the frames.

WELD FREE AND RIVETING FREE

Technical Data

WEIGHT CAPACITY: 150 kg (weight related to a person with tools)

FRAMES: stainless steel (60x20 mm + 40x20 mm + 30x15 mm)

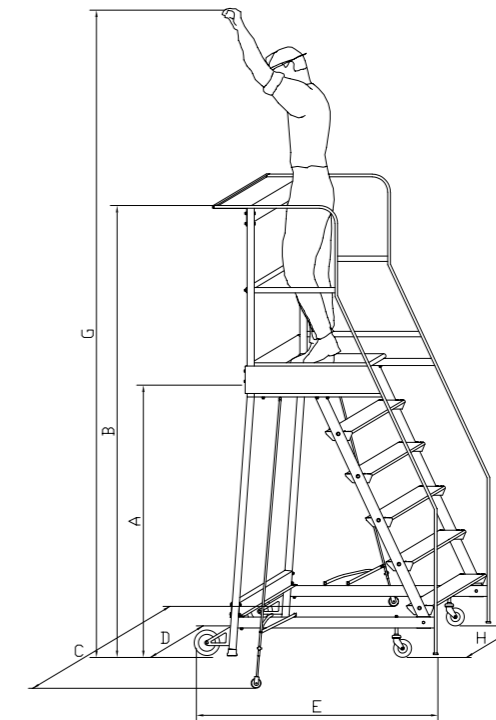
PLATFORM: anti-slip aluminum 490x490 mm

WHEELS: rear wheels ø 140 mm, front wheels ø 100 mm

STEPS: aluminum 150x23 mm

TOP WIDTH: 490 mm

SAFETY STANDARD: UNI EN 131-2, UNI EN 131-7; D.Lgs n°81/2008 for: S1817A, S1818A, S1819A, S1820A.



| Code | Steps* | A | B | C | D | E | G | H | Weight |
|-----------|--------|------|------|------|------|------|------|-----|--------------------|
| S1804A | 4 | 1000 | 2000 | 1270 | 660 | 1130 | 2850 | 530 | 29,6 kg 34,2 kg** |
| S1805A | 5 | 1250 | 2250 | 1270 | 690 | 1290 | 3100 | 550 | 32,9 kg 37,6 kg** |
| S1806A | 6 | 1500 | 2500 | 1530 | 720 | 1450 | 3350 | 570 | 36,7 kg 41,4 kg** |
| S1807A | 7 | 1750 | 2750 | 1530 | 750 | 1580 | 3600 | 590 | 40,8 kg 45,6 kg** |
| S1808A | 8 | 2000 | 3000 | 1830 | 780 | 1740 | 3850 | 610 | 45,5 kg 50,2 kg** |
| S1809A | 9 | 2250 | 3250 | 1830 | 810 | 1900 | 4100 | 630 | 50,3 kg 55,2 kg** |
| S1810A | 10 | 2500 | 3500 | 2710 | 840 | 2040 | 4350 | 650 | 55,7 kg 61,6 kg** |
| S1811A | 11 | 2750 | 3750 | 2710 | 870 | 2200 | 4600 | 670 | 62,4 kg 67,4 kg** |
| S1812A | 12 | 3000 | 4000 | 3070 | 900 | 2320 | 4850 | 690 | 68,6 kg 73,6 kg** |
| S1813A | 13 | 3250 | 4250 | 3070 | 930 | 2450 | 5100 | 710 | 75,1 kg 80,2 kg** |
| S1814A | 14 | 3500 | 4500 | 3460 | 960 | 2630 | 5350 | 730 | 82,1 kg 87,2 kg** |
| S1815A | 15 | 3750 | 4750 | 3460 | 990 | 2790 | 5600 | 750 | 89,4 kg 94,6 kg** |
| S1816A | 16 | 4000 | 5000 | 3680 | 1020 | 2950 | 5850 | 770 | 97,2 kg 102,4 kg** |
| S1817A*** | 17 | 4250 | 5250 | 3900 | 1050 | 3110 | 6100 | 790 | 105 kg 110 kg** |
| S1818A*** | 18 | 4500 | 5500 | 4120 | 1080 | 3260 | 6350 | 810 | 113 kg 118 kg** |
| S1819A*** | 19 | 4750 | 5750 | 4340 | 1110 | 3430 | 6600 | 830 | 120 kg 126 kg** |
| S1820A*** | 20 | 5000 | 6000 | 4560 | 1140 | 3590 | 6850 | 850 | 128 kg 133 kg** |

* The platform is included in the number of the steps - ** Weight of ladder with braking device - *** Complying with D.Lgs n° 81/2008 Measures are in mm

To optimize transport the ladder can be supplied disassembled

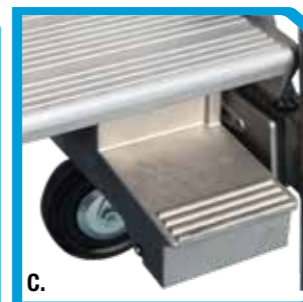
A. CCBS/A Version



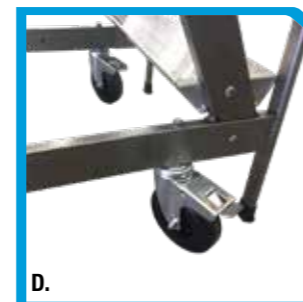
B. CCBS/MA Version



C. CCBS/P Version



D. CCBS/F Version





Description

The ladder is made of stainless steel and it is equipped with handrail. The platform and the steps are in anti-slip aluminum and it has two rear fixed wheels.

To comply with European norms the ladder must be equipped with lateral stabilizers which prevent the overturning of the ladder during use. In all versions it is possible to apply, as optional, a foot brake device with swivel wheels in the front of ladder.

WARNING: with this version the user must activate the brake pedal before using the ladder.

STEPS: they are mounted on aluminum die-casted supports with rungs and anti-torsion groove and they are fixed onto the frames.

WELD FREE AND RIVETING FREE

Technical Data

WEIGHT CAPACITY: 300 kg
(weight related to a person with tools)

FRAMES: stainless steel tube
(60x30 mm + 60x20 mm + 30x15 mm)

PLATFORM: anti-slip aluminum
860x600 mm

WHEELS: rear wheels \varnothing 200 mm

STEPS: aluminum 800x200 mm

TOP WIDTH: 860 mm

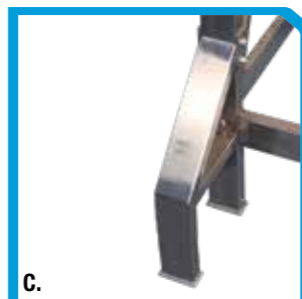
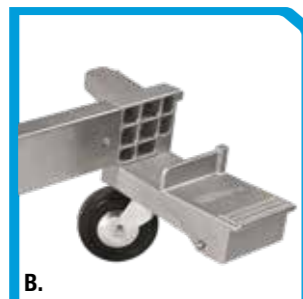
SAFETY STANDARD:

With lateral stabilizers
UNI EN 131-2, UNI EN 131-7;

Without lateral stabilizers

D. Lgs. n° 81/2008

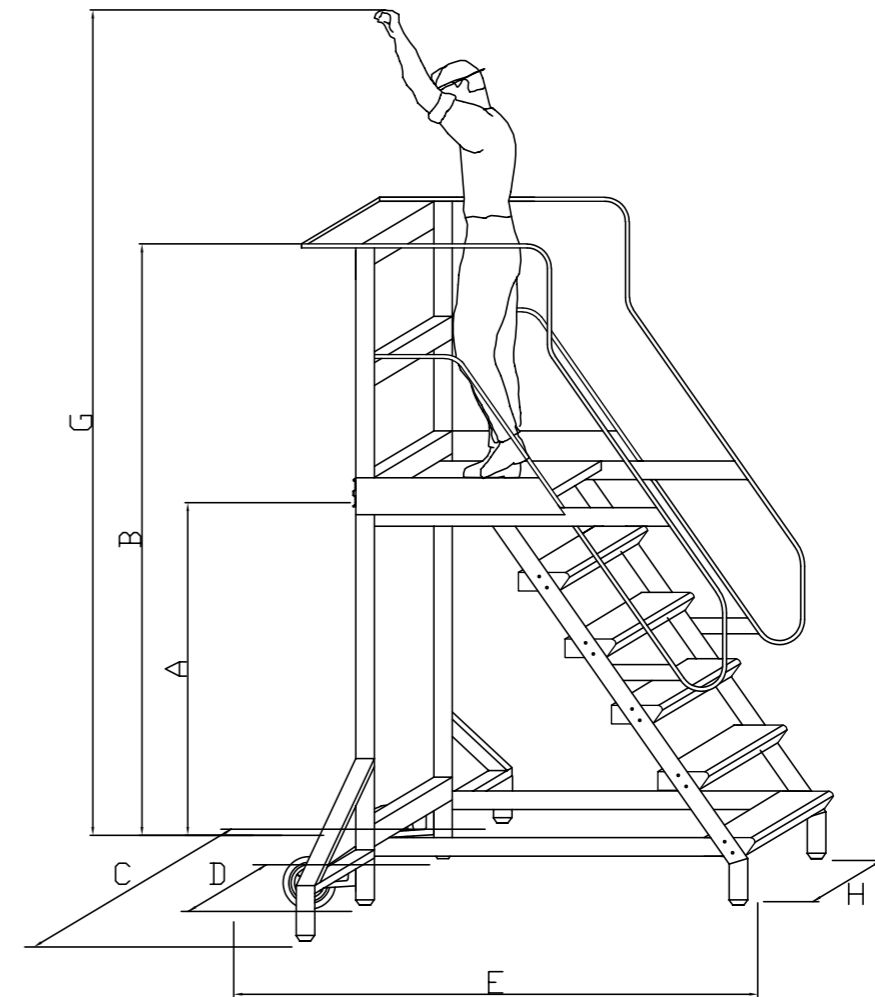
To optimize transport the ladder can be supplied disassembled



A. Objects holder and platform

B. Braking pedal device

C. Lateral stabilizer



| Code | Steps* | A | B | C | D | E | G | H | Weight** |
|--------|--------|------|------|------|-----|------|------|-----|------------------|
| S1203A | 3 | 750 | 1750 | / | 920 | 1170 | 2600 | 860 | 68 kg / |
| S1204A | 4 | 1000 | 2000 | / | 920 | 1340 | 2850 | 860 | 74 kg / |
| S1205A | 5 | 1250 | 2250 | 1330 | 920 | 1520 | 3100 | 860 | 80 kg 85 kg*** |
| S1206A | 6 | 1500 | 2500 | 1330 | 920 | 1700 | 3350 | 860 | 86 kg 91 kg*** |
| S1207A | 7 | 1750 | 2750 | 1470 | 920 | 1880 | 3600 | 860 | 93 kg 99 kg*** |
| S1208A | 8 | 2000 | 3000 | 1470 | 920 | 2050 | 3850 | 860 | 98 kg 104 kg*** |
| S1209A | 9 | 2250 | 3250 | 1610 | 920 | 2230 | 4100 | 860 | 104 kg 111 kg*** |
| S1210A | 10 | 2500 | 3500 | 1610 | 920 | 2400 | 4350 | 860 | 110 kg 117 kg*** |
| S1211A | 11 | 2750 | 3750 | 2180 | 920 | 2575 | 4600 | 860 | 116 kg 124 kg*** |
| S1212A | 12 | 3000 | 4000 | 2180 | 920 | 2750 | 4850 | 860 | 122 kg 130 kg*** |

* The platform is included in the number of the steps - ** The weight includes also the braking device (5 kg)

*** Ladder weight with stabilizer - Measures are in mm



Description

The ladder is made of stainless steel and it is equipped with handrail. Platform and steps are in anti-slip aluminum.

It is available in two versions:

- **S1P/A** (from 4 to 13 steps) four rotating wheels with brake lever.
- **S1P/F** (from 4 to 13 steps) four ground fixing plates

WARNING: with version S1P/A the user must activate the brake pedal before using the ladder.

Steps: they are mounted on aluminum die-casted supports with rungs and anti-torsion groove and they are fixed onto the frames.

WELD FREE AND RIVETING FREE

Technical Data

WEIGHT CAPACITY: 150 kg
(weight related to a person with tools)

FRAMES: stainless steel
(40x20, 60x20, 20x20 mm)

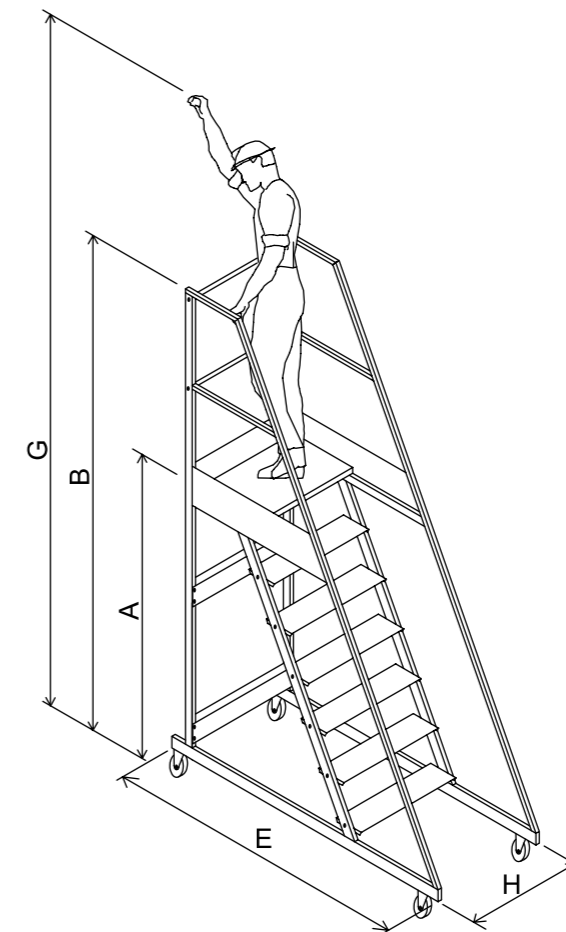
PLATFORM: anti-slip aluminum 700x340 mm

WHEELS: rotating wheels with brake lever Ø 125mm

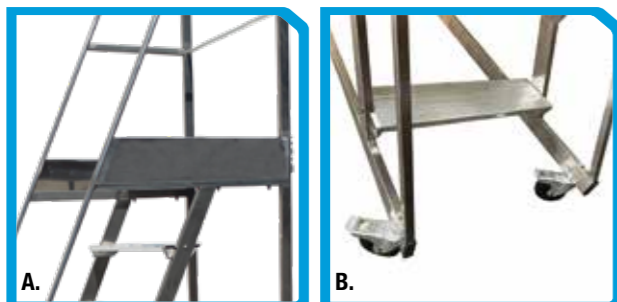
STEPS: aluminum 150x23 mm

TOP WIDTH: 700 mm

SAFETY STANDARD: D. Lgs. n° 81/2008



To optimize transport the ladder can be supplied disassembled



A. Platform
B. Rotating wheels with brake lever

| Code | Steps* | A | B | E | G | H | Weight |
|--------|--------|------|------|------|------|-----|--------|
| S2604A | 4 | 1000 | 2000 | 1320 | 2850 | 700 | 18 kg |
| S2605A | 5 | 1250 | 2250 | 1435 | 3100 | 700 | 23 kg |
| S2606A | 6 | 1500 | 2500 | 1550 | 3350 | 700 | 28 kg |
| S2607A | 7 | 1750 | 2750 | 1665 | 3600 | 700 | 33 kg |
| S2608A | 8 | 2000 | 3000 | 1780 | 3850 | 700 | 38 kg |
| S2609A | 9 | 2250 | 3250 | 1895 | 4100 | 700 | 43 kg |
| S2610A | 10 | 2500 | 3500 | 2010 | 4350 | 700 | 48 kg |
| S2611A | 11 | 2750 | 3750 | 2125 | 4600 | 700 | 53 kg |
| S2612A | 12 | 3000 | 4000 | 2240 | 4850 | 700 | 58 kg |
| S2613A | 13 | 3250 | 4250 | 2355 | 5100 | 700 | 63 kg |

*The platform is included in the number of the steps
Measures are in mm



Description

The ladder is made of stainless steel and it is equipped with handrail. Platforms and steps are in anti-slip aluminum.

It is available in two versions:

- **S2P/A** (from 6 to 12 steps) four rotating wheels with brake lever.
- **S2P/F** (from 6 to 12 steps) four ground fixing plates

WARNING: with version S2P/A the user must activate the brake pedal before using the ladder.

Steps: they are mounted on aluminum die-casted supports with rungs and anti-torsion groove and they are fixed onto the frames.

WELD FREE AND RIVETING FREE

Technical Data

WEIGHT CAPACITY: 150 kg
(weight related to a person with tools)

FRAMES: stainless steel
(40x20, 60x20, 20x20 mm)

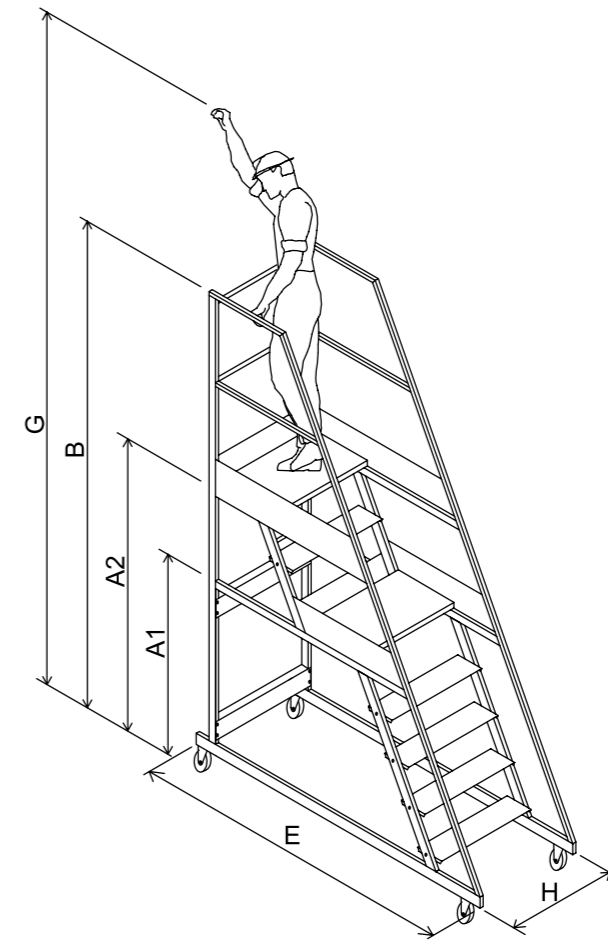
PLATFORMS: anti-slip aluminum
700x340 mm

WHEELS: rotating wheels with brake lever
Ø 125mm

STEPS: aluminum 150x23 mm

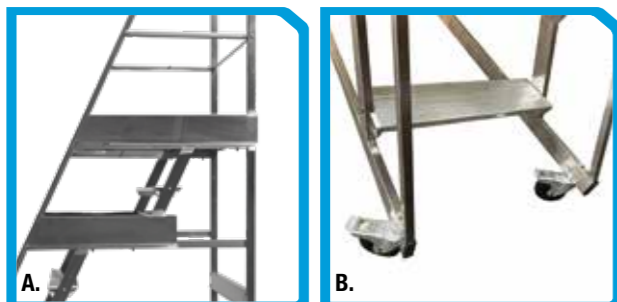
TOP WIDTH: 700 mm

SAFETY STANDARD: D. Lgs. n° 81/2008



| Code | Steps* | A1 | A2 | B | E | G | H | Weight |
|--------|--------|------|------|------|------|------|-----|--------|
| S2506A | 6 | 1000 | 1500 | 2500 | 1700 | 3350 | 700 | 35 kg |
| S2508A | 8 | 1500 | 2000 | 3000 | 1920 | 3850 | 700 | 45 kg |
| S2510A | 10 | 2000 | 2500 | 3500 | 2140 | 4350 | 700 | 55 kg |
| S2512A | 12 | 2500 | 3000 | 4000 | 2360 | 4850 | 700 | 65 kg |

To optimize transport the ladder can be supplied disassembled



A. Double platform
B. Rotating wheels with brake lever

* The platforms are included in the number of the steps
Measures are in mm



Description

The ladder is made of stainless steel. The platform and the steps are in anti-slip aluminum. The ladder is provided with handrail.

It is available in two versions:

- **DBR/A** (from 4 a to 13 steps): without wheels

- **DBR/AA** (from 4 to 13 steps): with 4 wheels with springs

STEPS: they are mounted on aluminum die-casted supports with rungs and anti-torsion groove and they are fixed onto the frames.

WELD FREE AND RIVETING FREE

Technical Data

WEIGHT CAPACITY: 150 kg (weight related to a person with tools)

FRAMES: stainless steel (60x20 mm + 40x20 mm + 30x15 mm)

PLATFORM: anti-slip aluminum 450x690 mm

WHEELS: wheels ø 100 mm

STEPS: aluminum 150x23 mm

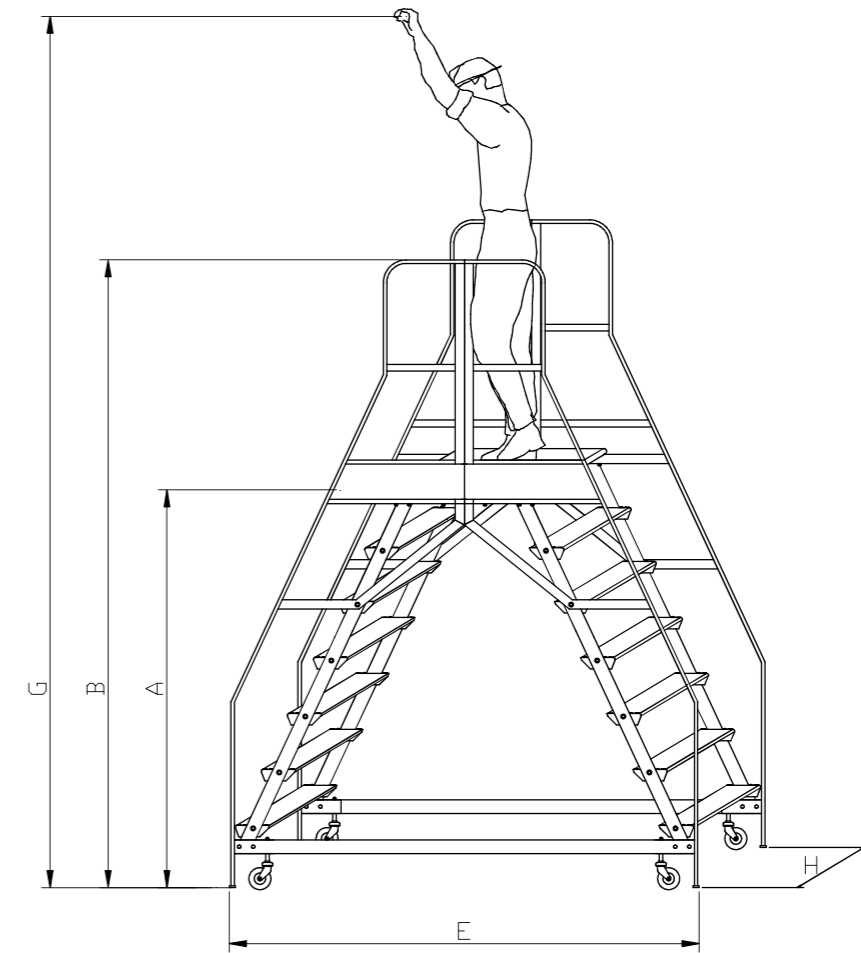
TOP WIDTH: 450 mm

SAFETY STANDARD:

D. Lgs. n° 81/2008

A. Anti-torsion support

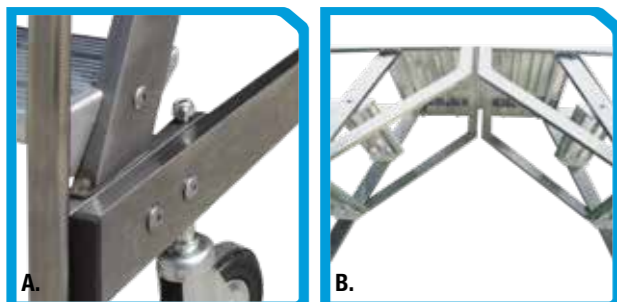
B. Platform structure



| Code | Steps* | A | B | E | G | H | Weight |
|--------|--------|------|------|------|------|-----|--------|
| S0354A | 4+4 | 1000 | 2000 | 1450 | 2850 | 600 | 48 kg |
| S0355A | 5+5 | 1250 | 2250 | 1750 | 3100 | 620 | 55 kg |
| S0356A | 6+6 | 1500 | 2500 | 2050 | 3350 | 640 | 62 kg |
| S0357A | 7+7 | 1750 | 2750 | 2350 | 3600 | 660 | 69 kg |
| S0358A | 8+8 | 2000 | 3000 | 2650 | 3850 | 680 | 75 kg |
| S0359A | 9+9 | 2250 | 3250 | 2950 | 4100 | 700 | 82 kg |
| S0360A | 10+10 | 2500 | 3500 | 3250 | 4350 | 720 | 88 kg |
| S0361A | 11+11 | 2750 | 3750 | 3550 | 4600 | 740 | 95 kg |
| S0362A | 12+12 | 3000 | 4000 | 3850 | 4850 | 760 | 102 kg |
| S0363A | 13+13 | 3250 | 4250 | 4150 | 5100 | 780 | 109 kg |

* The platform is included in the number of the steps
Measures are in mm

To optimize transport the ladder can be supplied disassembled





To optimize transport the ladder can be supplied disassembled



Description

The ladder is made of stainless steel. The platform and the steps are in anti slip aluminum. The ladder is provided with handrail.

It is particularly indicated for overcoming fixed obstacles or for controlling on board of installations of production processes.

On request there is the possibility to have plates fixed to the ground.

STEPS: they are mounted on aluminum die-casted supports with rungs and anti-torsion groove and they are fixed onto the frames.

WELD FREE AND RIVETING FREE

Technical Data

WEIGHT CAPACITY: 300 kg
(weight related to a person with tools)

FRAMES: stainless steel
(60x30 mm + 60x20 mm + 30x15 mm)

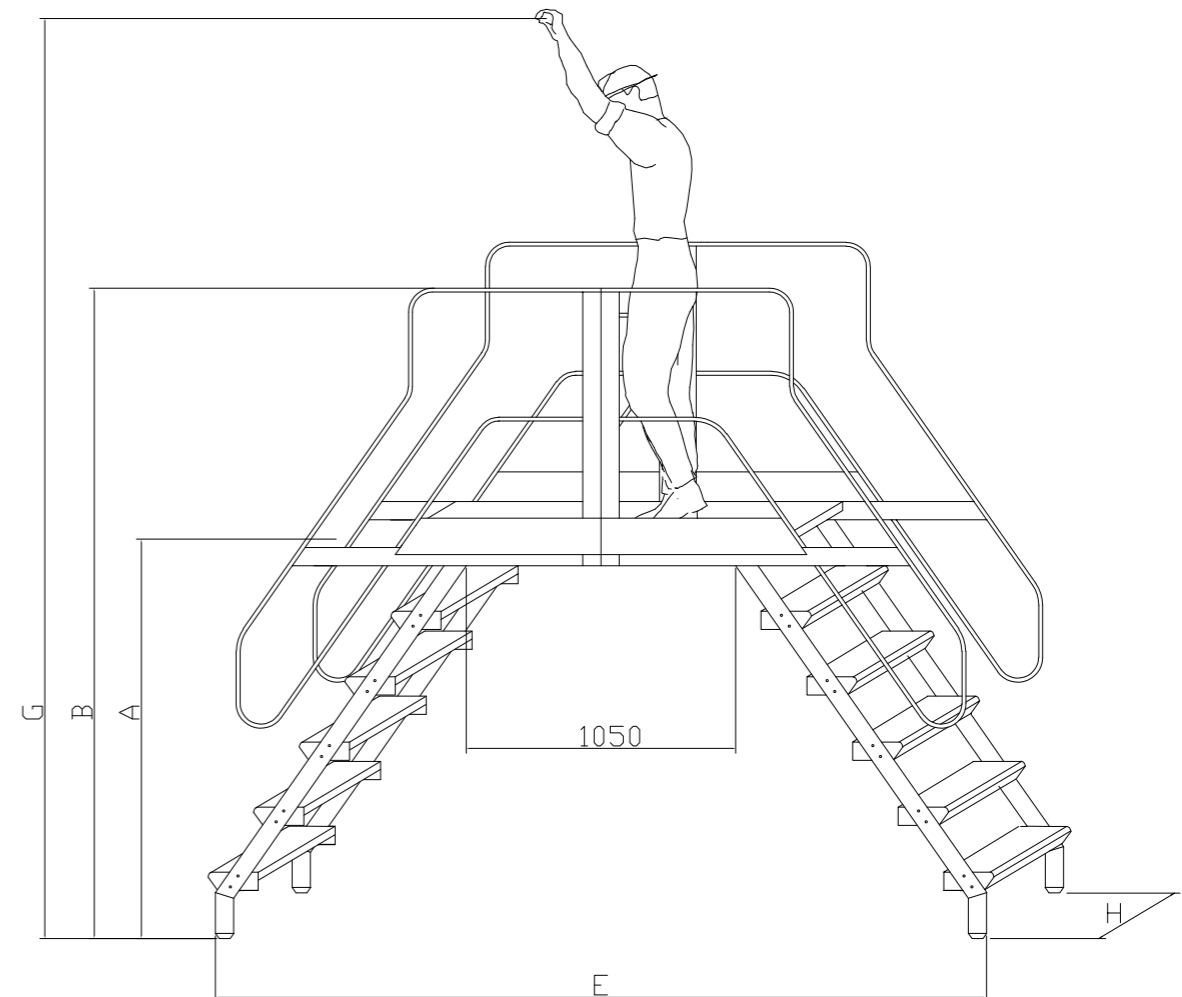
PLATFORM: anti-slip aluminum
860x1320 mm

STEPS: aluminum 800x200 mm

TOP WIDTH: 860 mm

SAFETY STANDARD:

D. Lgs. n° 81/2008



| Code | Steps* | A | B | E | G | H | Weight |
|--------|--------|------|------|------|------|-----|--------|
| S1253A | 3+3 | 750 | 1750 | 1970 | 2600 | 860 | 110 kg |
| S1254A | 4+4 | 1000 | 2000 | 2320 | 2850 | 860 | 120 kg |
| S1255A | 5+5 | 1250 | 2250 | 2680 | 3100 | 860 | 130 kg |
| S1256A | 6+6 | 1500 | 2500 | 3030 | 3350 | 860 | 140 kg |
| S1257A | 7+7 | 1750 | 2750 | 3390 | 3600 | 860 | 150 kg |
| S1258A | 8+8 | 2000 | 3000 | 3740 | 3850 | 860 | 160 kg |
| S1259A | 9+9 | 2250 | 3250 | 4090 | 4100 | 860 | 170 kg |
| S1260A | 10+10 | 2500 | 3500 | 4440 | 4350 | 860 | 180 kg |
| S1261A | 11+11 | 2750 | 3750 | 4790 | 4600 | 860 | 190 kg |
| S1262A | 12+12 | 3000 | 4000 | 5140 | 4850 | 860 | 200 kg |

* The platform is included in the number of the steps
Measures are in mm

A. Step detail and platform



Description

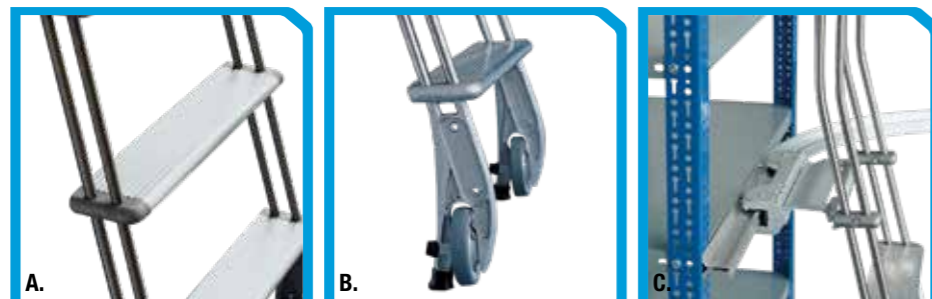
The ladder runs on a track of aluminum through a trolley with joint.
The trolley also allows you to adjust the inclination of the ladder as needed and according to the available spaces.
The ladder can slide on a linear or a curvilinear route.
Thanks to the nylon wheels, the movement results homogeneous, continuous and silent even in the curves.
The ladder can be moved only in resting position.
The steps and the aluminum attacks make it very solid and durable.
It can be applied on any furniture, wall or shelf.

STEPS: WELD FREE AND RIVETING FREE

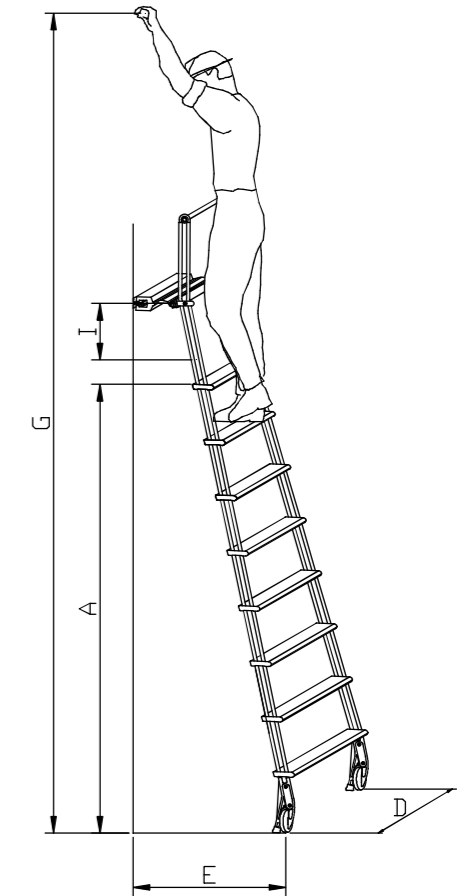
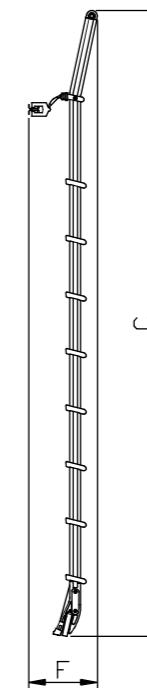
Technical Data

WEIGHT CAPACITY: 150 kg
(weight related to a person with tools)
FRAMES: stainless steel, double section \varnothing 15 mm
WHEELS: anti-trace rubber \varnothing 100 mm
STEPS: aluminum 95x23 mm
TOP WIDTH: 310 mm
SAFETY STANDARD:
UNI EN 131-2

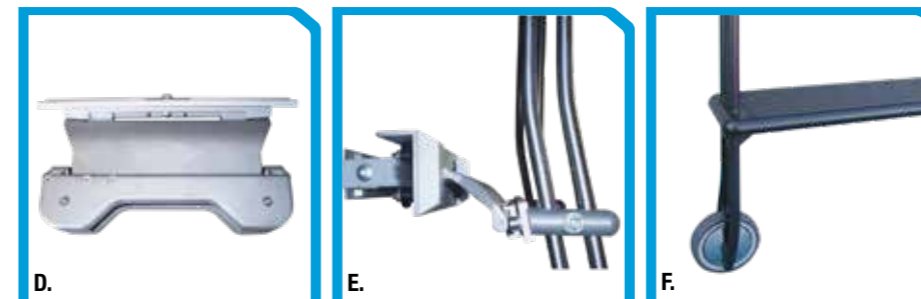
On this model hooks and handrails are optionally available



A. Step with joint
B. Foot with wheel
C. Curvilinear route



| Code | Steps | A | C | D | E | F | G | I | Weight |
|-------|---------------------|------|------|-----|------|-----|------|-----------|-----------|
| S0105 | 5 | 1200 | 2000 | 560 | 600 | 270 | 3050 | 1370-1620 | 8,2 kg |
| S0106 | 6 | 1440 | 2250 | 580 | 660 | 270 | 3290 | 1610-1860 | 9,2 kg |
| S0107 | 7 | 1680 | 2500 | 600 | 720 | 270 | 3530 | 1850-2100 | 10,2 kg |
| S0108 | 8 | 1920 | 2750 | 620 | 780 | 270 | 3770 | 2090-2340 | 11,2 kg |
| S0109 | 9 | 2160 | 3000 | 640 | 840 | 270 | 4010 | 2330-2580 | 12,2 kg |
| S0110 | 10 | 2400 | 3250 | 660 | 900 | 270 | 4250 | 2570-2820 | 13,2 kg |
| S0111 | 11 | 2640 | 3500 | 680 | 960 | 270 | 4490 | 2810-3060 | 14,2 kg |
| S0112 | 12 | 2880 | 3750 | 700 | 1020 | 270 | 4730 | 3050-3300 | 15,2 kg |
| S0115 | Aluminum rail 45x45 | | | | | | | | 0,96 kg/m |



Measures are in mm

D. Trolley with joint for curvilinear routes
E. Trolley with joint for linear routes
F. Painting on request



Description

The ladder runs on a track of aluminum through a trolley with joint. The trolley also allows you to adjust the inclination of the ladder as needed and according to the available spaces. The ladder can slide on a linear or a curvilinear route. Thanks to the nylon wheels, the movement results homogeneous, continuous and silent even in the curves. The ladder can be moved only in resting position. The steps and the aluminum attacks make it very solid and durable. It can be applied on any furniture, wall or shelf.

It is available in two versions:

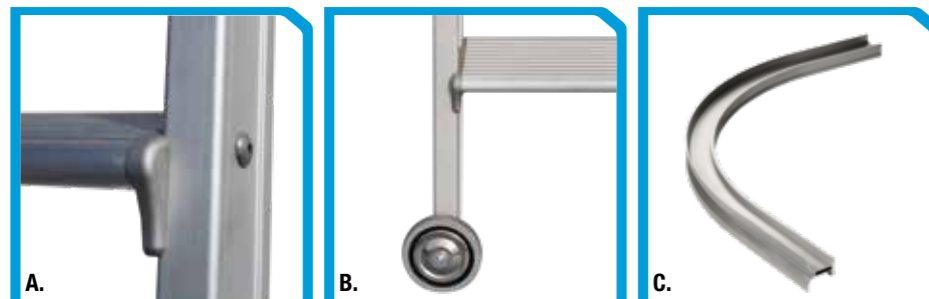
- F12 with rungs 35x24 mm
- F12/P with steps 95x23 mm

STEPS: WELD FREE AND RIVETING FREE

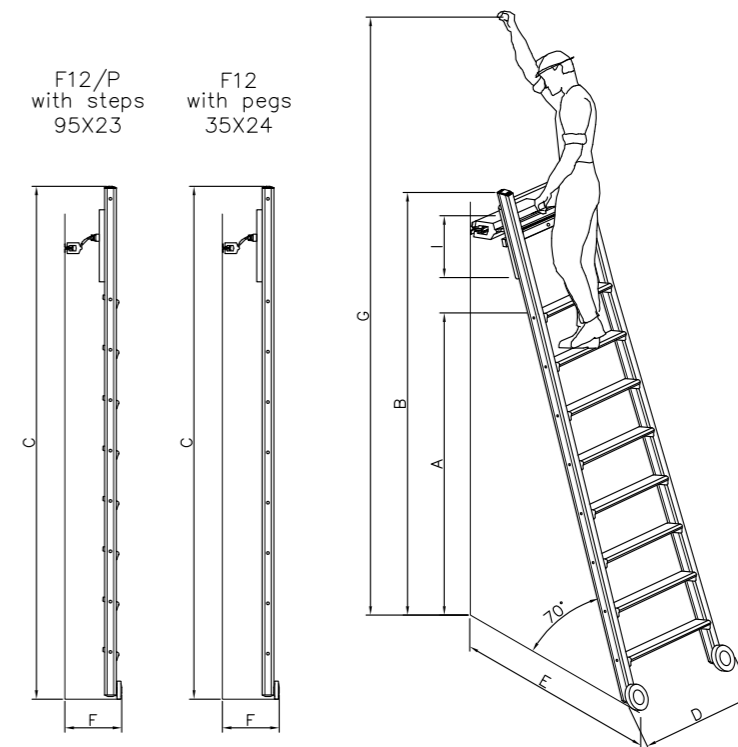
Technical Data

WEIGHT CAPACITY: 150 kg (weight related to a person with tools)
FRAMES: aluminum 65x30 mm
WHEELS: rubber anti trace ø 100 mm
STEPS: aluminum 95x23 mm in the version F12/P
RUNGS: aluminum 35x24 mm in the version F12
TOP WIDTH:
 • Version F12 = 440 mm
 • Version F12/P = 440 mm
SAFETY STANDARD:
 D. Lgs. n° 81/2008

On this model hooks and handrails are optionally available

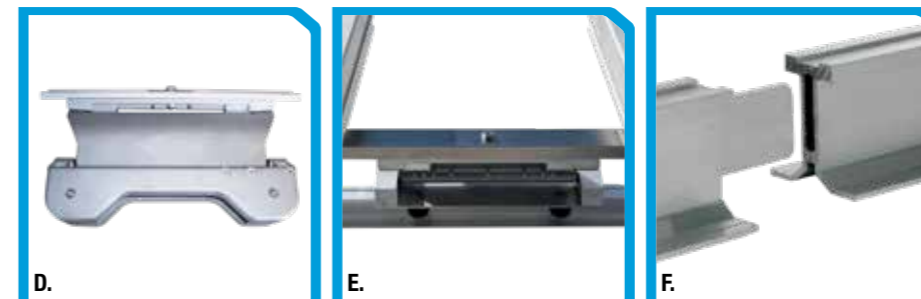


A. Step with joint
 B. Foot with wheel
 C. Curvilinear route



| Code | A | B | C | D | E | F | G | I | Weight |
|-------|------------------------|------|------|------------|------|-----|------|-------------|------------------|
| S2205 | 1320 | 1900 | 2020 | 510* 610** | 790 | 320 | 2900 | 1450 - 1770 | 8kg* 8,5kg** |
| S2206 | 1580 | 2160 | 2300 | 510* 630** | 870 | 320 | 3160 | 1730- 2050 | 8,8kg* 9kg** |
| S2207 | 1840 | 2420 | 2580 | 510* 650** | 950 | 320 | 3420 | 2010- 2330 | 9,6kg* 10,2kg** |
| S2208 | 2100 | 2680 | 2860 | 510* 670** | 1030 | 320 | 3680 | 2290- 2610 | 10,4kg* 11,5kg** |
| S2209 | 2360 | 2940 | 3140 | 510* 690** | 1110 | 320 | 3940 | 2570- 2890 | 11,2kg* 12,7kg** |
| S2210 | 2620 | 3210 | 3420 | 510* 710** | 1190 | 320 | 4210 | 2850- 3170 | 12kg* 13,9kg** |
| S2211 | 2890 | 3470 | 3700 | 510* 730** | 1270 | 320 | 4470 | 3130- 3450 | 12,8kg* 15,1kg** |
| S2212 | 3150 | 3730 | 3980 | 510* 750** | 1350 | 320 | 4730 | 3410- 3730 | 13,6kg* 16,4kg** |
| S2213 | 3410 | 4000 | 4260 | 510* 770** | 1430 | 320 | 5000 | 3690- 4010 | 14,4kg* 17,7kg** |
| S2214 | 3670 | 4260 | 4540 | 510* 790** | 1510 | 320 | 5260 | 3970- 4290 | 15,2kg* 19kg** |
| S2215 | 3940 | 4520 | 4820 | 510* 810** | 1590 | 320 | 5520 | 4250- 4570 | 16kg* 20,3kg** |
| S0115 | Aluminum rail 45x45 mm | | | | | | | | 0,96 kg/m |

* Dimensions refer to F12 with rungs 35x24 - ** Dimensions refer to F12/P with steps 95x23 - Measures are in mm



D. Trolley with joint for curvilinear routes
 E. Trolley with joint for linear routes
 F. Rail and connector



Description

The ladder runs on a track of aluminum through a trolley with joint. The trolley allows linear movements thanks to 12 ball bearings and it can be blocked by a hand wheel. It is built with stainless steel frame, anti-slip aluminum steps and platform and it is equipped with handrail. It can be applied on any furniture, wall or shelf.

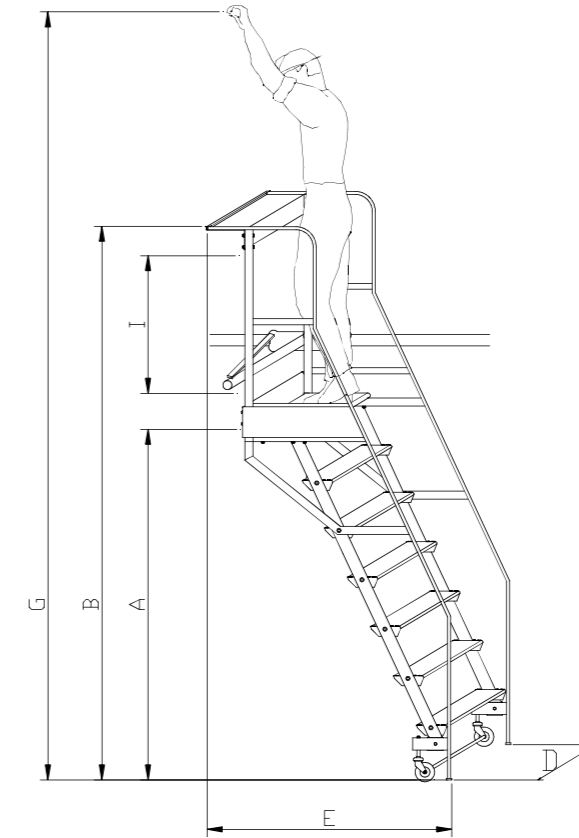
STEPS: they are mounted on aluminum die-casted supports with rungs and anti-torsion groove and they are fixed onto the frames.

WELD FREE AND RIVETING FREE

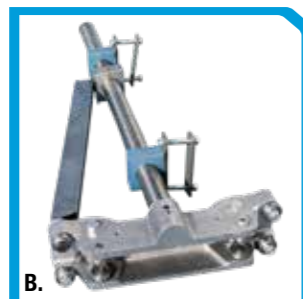
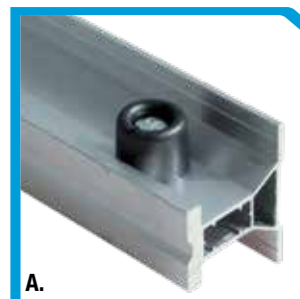
Technical Data

WEIGHT CAPACITY: 150 kg
(weight related to a person with tools)
FRAMES: stainless steel
(60x20 mm + 40x20 mm + 30x15 mm)
PLATFORM: anti-slip aluminum
450x340 mm
WHEELS: ø 100 mm with spring
STEPS: aluminum 150x23 mm
TOP WIDTH: 450 mm
SAFETY STANDARD:
UNI EN 131-2

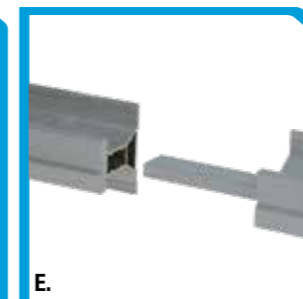
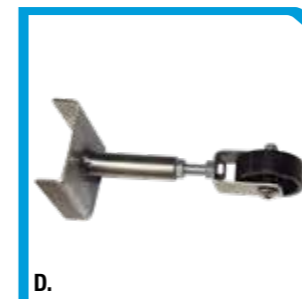
This model can also be supplied with front trolley



| Code | Steps* | A | B | D** | E | G | I | Weight |
|--------|-------------------------|------|------|-----|------|------|-----------|---------|
| S0204A | 4 | 1000 | 2000 | 660 | 750 | 2850 | 1100-1780 | 23 kg |
| S0205A | 5 | 1250 | 2250 | 680 | 900 | 3100 | 1350-2030 | 26 kg |
| S0206A | 6 | 1500 | 2500 | 700 | 1050 | 3350 | 1600-2280 | 29 kg |
| S0207A | 7 | 1750 | 2750 | 720 | 1200 | 3600 | 1850-2530 | 32 kg |
| S0208A | 8 | 2000 | 3000 | 740 | 1350 | 3850 | 2100-2780 | 35 kg |
| S0209A | 9 | 2250 | 3250 | 760 | 1500 | 4100 | 2350-3030 | 38 kg |
| S0210A | 10 | 2500 | 3500 | 780 | 1650 | 4350 | 2600-3280 | 41 kg |
| S0211A | 11 | 2750 | 3750 | 800 | 1800 | 4600 | 2850-3530 | 44 kg |
| S0212A | 12 | 3000 | 4000 | 820 | 1950 | 4850 | 3100-3780 | 47 kg |
| S0213A | 13 | 3250 | 4250 | 840 | 2100 | 5100 | 3350-4030 | 50 kg |
| S0215 | Aluminum track 70x55 mm | | | | | | | 1,8kg/m |



A. Stop rubber kit
B. SL Trolley
C. Lower sliding wheel



* The platform is included in the number of steps
** Minimum required space from the wall (without rail spacers)
Measures are in mm

D. Lateral sliding kit
E. Rail and connector



This model can also be supplied with front trolley

Description

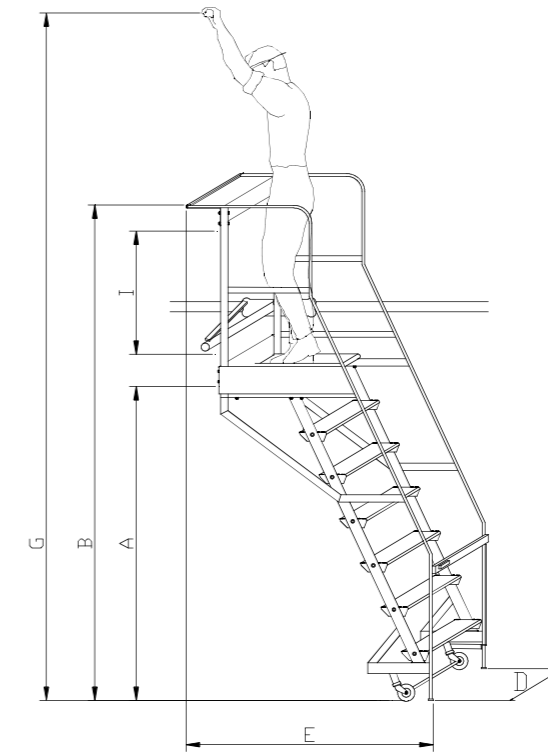
The ladder runs on a track of aluminum through a trolley with joint. The trolley allows linear movements thanks to 12 ball bearings and it can be blocked by a hand wheel. It is built with stainless steel frame, anti-slip aluminum steps and platform and it is equipped with handrail. It can be applied on any furniture, wall or shelf. For safe use the ladder is provided with a steel front gate manually activated. For a linear sliding of the ladder it is recommended to apply a lower sliding kit to the step section frame.

STEPS: they are mounted on aluminum die-casted supports with rungs and anti-torsion groove and they are fixed onto the frames.

WELD FREE AND RIVETING FREE

Technical Data

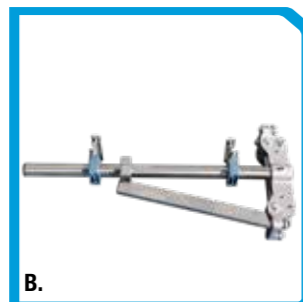
WEIGHT CAPACITY: 150 kg
(weight related to a person with tools)
FRAMES: stainless steel
(60x20 mm + 40x20 mm + 30x15 mm)
PLATFORM: anti-slip aluminum
490x490 mm
WHEELS: ø 100 mm with device
STEPS: aluminum 150x23 mm
TOP WIDTH: 490 mm
SAFETY STANDARD:
D. Lgs. n° 81/2008



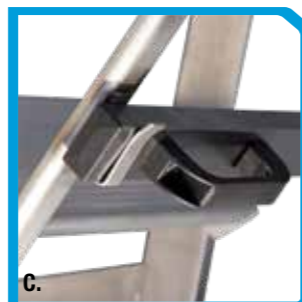
| Code | Steps* | A | B | G | E | D** | I | Weight |
|--------|-------------------------|------|------|------|------|-----|-----------|---------|
| S1504A | 4 | 1000 | 2000 | 2850 | 900 | 700 | 1100-1780 | 28kg |
| S1505A | 5 | 1250 | 2250 | 3100 | 1050 | 720 | 1350-2030 | 31kg |
| S1506A | 6 | 1500 | 2500 | 3350 | 1200 | 740 | 1600-2280 | 34kg |
| S1507A | 7 | 1750 | 2750 | 3600 | 1350 | 760 | 1850-2530 | 37kg |
| S1508A | 8 | 2000 | 3000 | 3850 | 1500 | 780 | 2100-2780 | 40kg |
| S1509A | 9 | 2250 | 3250 | 4100 | 1650 | 800 | 2350-3030 | 43kg |
| S1510A | 10 | 2500 | 3500 | 4350 | 1800 | 820 | 2600-3280 | 46kg |
| S1511A | 11 | 2750 | 3750 | 4600 | 1950 | 840 | 2850-3530 | 49kg |
| S1512A | 12 | 3000 | 4000 | 4850 | 2100 | 860 | 3100-3780 | 52kg |
| S1513A | 13 | 3250 | 4250 | 5100 | 2250 | 880 | 3350-4030 | 55kg |
| S1514A | 14 | 3500 | 4500 | 5350 | 2400 | 900 | 3600-4280 | 58kg |
| S1515A | 15 | 3750 | 4750 | 5600 | 2550 | 920 | 3850-4530 | 61kg |
| S1516A | 16 | 4000 | 5000 | 5850 | 2700 | 940 | 4100-4780 | 64kg |
| S0215 | Aluminum track 70x55 mm | | | | | | | 1,8kg/m |



A.

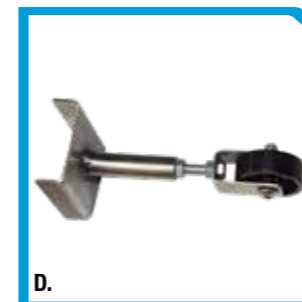


B.

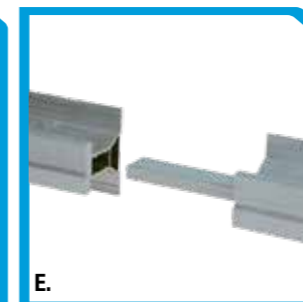


C.

A. Steel front gate
B. SLC trolley
C. SLC handle



D.



E.

* The platform is included in the number of steps
** Minimum required space from the wall (without rail spacers)
Measures are in mm

D. Lateral sliding kit
E. Rail and connector



Description

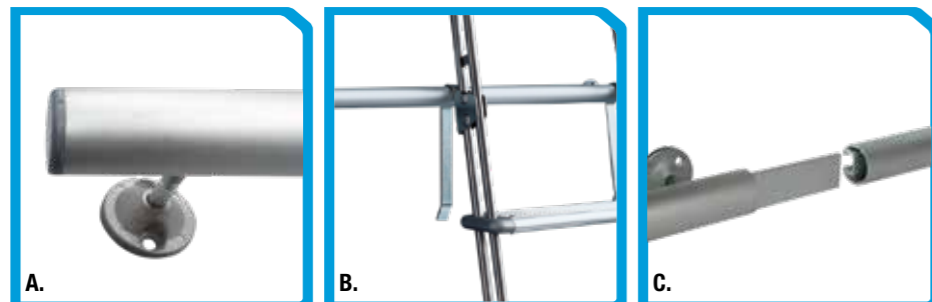
The ladder is made with a double stainless steel tube frame and aluminum steps. It can be applied on any furniture, wall or shelf. It is equipped with a convenient guard rail with height of 650 mm. It is light, practical and durable and it offers the possibility to adjust the height of the steel hooks.

STEPS: WELD FREE AND RIVETING FREE

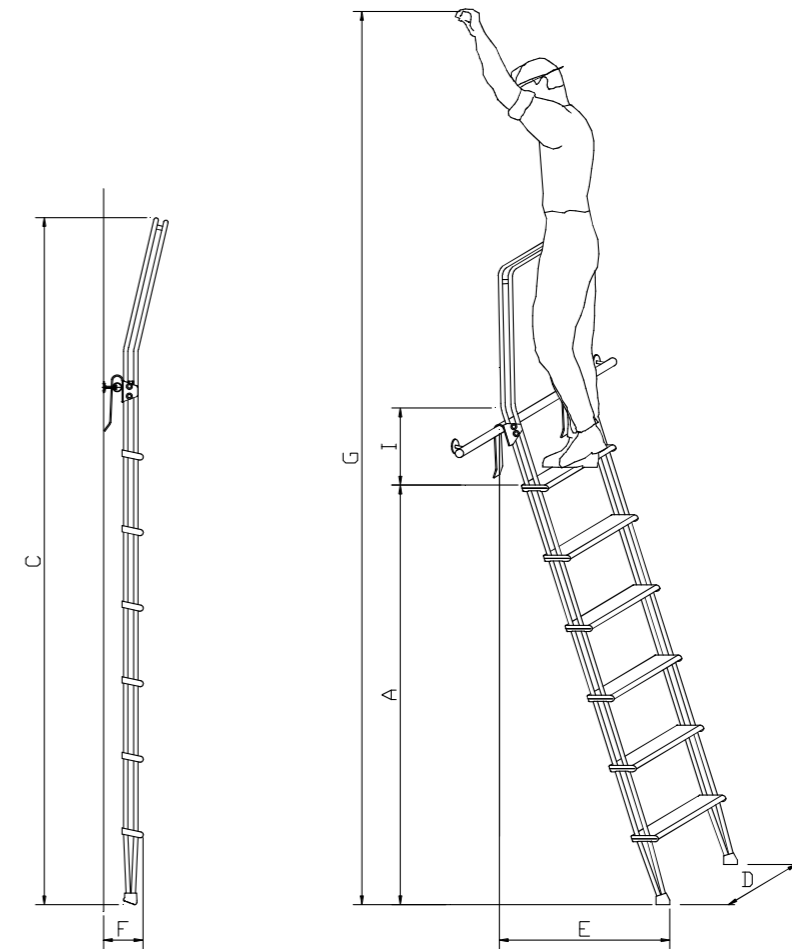
Technical Data

WEIGHT CAPACITY: 150 kg
(weight related to a person with tools)
STEPS: anti-slip aluminum 95x23 mm
FRAMES: stainless steel, double section \varnothing 15 mm
TOP WIDTH: 290 mm
SAFETY STANDARD: UNI EN 131-2

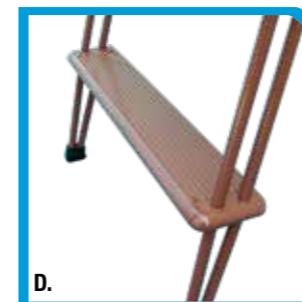
On this model handrails are optionally available



A. Spacer and limit stop
B. Adjustable hooks
C. Joint for rails connection



| Code | Steps | A | C | D | E | F | G | I | Weight |
|--------|--|------|------|-----|-----|-----|------|-----------|-----------|
| S0506A | 6 | 1480 | 2250 | 470 | 480 | 170 | 3330 | 1500-1750 | 7,4 kg |
| S0507A | 7 | 1720 | 2500 | 490 | 550 | 170 | 3570 | 1750-2000 | 8,4 kg |
| S0508A | 8 | 1960 | 2750 | 510 | 620 | 170 | 3810 | 2000-2250 | 9,4 kg |
| S0509A | 9 | 2200 | 3000 | 530 | 690 | 170 | 4050 | 2250-2500 | 10,4 kg |
| S0510A | 10 | 2440 | 3250 | 550 | 760 | 170 | 4290 | 2500-2750 | 11,4 kg |
| S0511A | 11 | 2680 | 3500 | 570 | 830 | 170 | 4530 | 2750-3000 | 12,4 kg |
| S0512A | 12 | 2920 | 3750 | 590 | 900 | 170 | 4770 | 3000-3250 | 13,4 kg |
| S0515 | Anodized aluminum rail \varnothing 30 mm | | | | | | | | 0,60 kg/m |



Measures are in mm

D. Painting on request



Description

The ladder is made with aluminum frames and anti-slip aluminum steps. It can be applied on any furniture, wall or shelf.

The ladder is equipped with a convenient guard rail.

It is light, practical and durable and it offers the possibility to adjust the height of the steel hooks.

STEPS: they are mounted on aluminum die-casted supports with rungs and anti-torsion groove and they are fixed onto the frames.

WELD FREE AND RIVETING FREE

Technical Data

WEIGHT CAPACITY: 150 kg
(weight related to a person with tools)

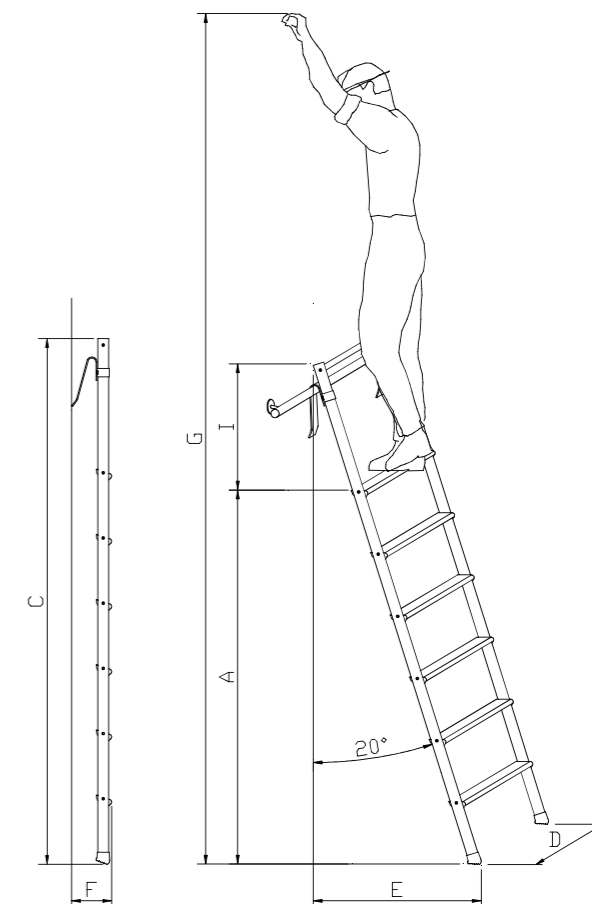
STEPS: anti-slip aluminum 95x23 mm

FRAMES: anodized aluminum
42x22 mm

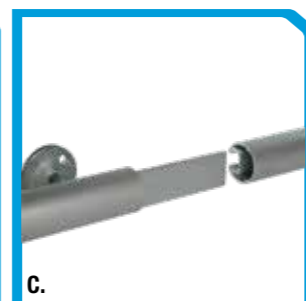
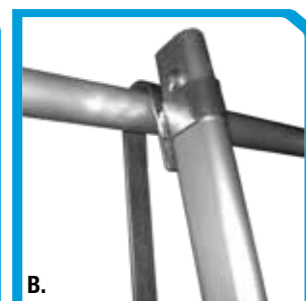
TOP WIDTH: 340 mm

SAFETY STANDARD:

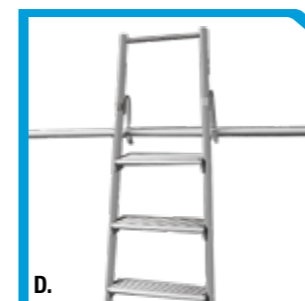
D. Lgs. n° 81/2008



| Code | Steps | A | C | D | E | F | G | I | Weight |
|--------|--------------------------------|------|------|-----|------|-----|------|-----------|-----------|
| S0705P | 5 | 1220 | 1750 | 490 | 670 | 170 | 3070 | 1410-1640 | 4 kg |
| S0706P | 6 | 1450 | 2000 | 510 | 760 | 170 | 3300 | 1640-1870 | 5 kg |
| S0707P | 7 | 1680 | 2250 | 530 | 850 | 170 | 3530 | 1870-2100 | 6 kg |
| S0708P | 8 | 1910 | 2500 | 550 | 940 | 170 | 3760 | 2100-2330 | 7 kg |
| S0709P | 9 | 2140 | 2750 | 570 | 1030 | 170 | 3990 | 2330-2560 | 8 kg |
| S0710P | 10 | 2370 | 3000 | 590 | 1120 | 170 | 4220 | 2560-2790 | 9 kg |
| S0711P | 11 | 2600 | 3250 | 610 | 1210 | 170 | 4450 | 2790-3020 | 10 kg |
| S0712P | 12 | 2830 | 3500 | 630 | 1300 | 170 | 4680 | 3020-3250 | 11 kg |
| S0515 | Anodized aluminum rail ø 30 mm | | | | | | | | 0,60 kg/m |



A. Spacer and limit stop
B. Adjustable hooks
C. Joint for rails connection



Measures are in mm

D. Ladder in resting position



Description

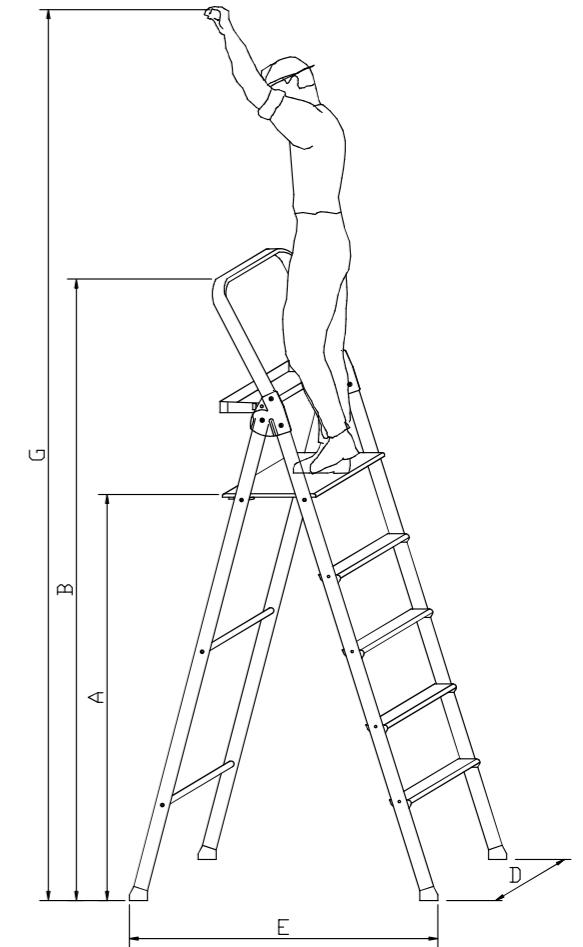
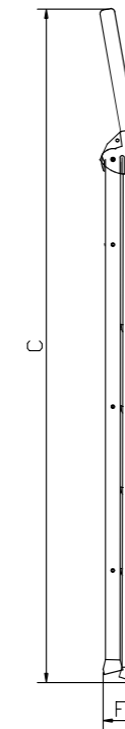
The ladder has a single climb ramp. It is made of aluminum with anodized aluminum frames and anti-slip steps. It is light, practical, durable and particularly suitable for professional use. It provides to operator an excellent comfort. It is equipped with a convenient guard rail with height of 640 mm.

STEPS: they are mounted on aluminum die-casted supports with rungs and anti-torsion groove and they are fixed onto the frames.

WELD FREE AND RIVETING FREE

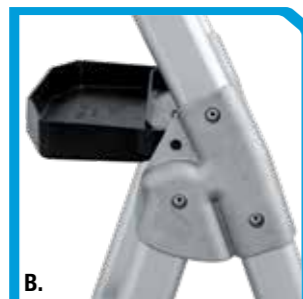
Technical Data

WEIGHT CAPACITY: 150 kg
(weight related to a person with tools)
PLATFORM: anti-slip aluminum
270x260 mm
STEPS: aluminum 95x23 mm
FRAMES: anodized aluminum 42x22 mm
OBJECTS HOLDER: nylon tray
HINGE JOINT: aluminum die-cast
TOP WIDTH: 320 mm
SAFETY STANDARD:
UNI EN 131-2

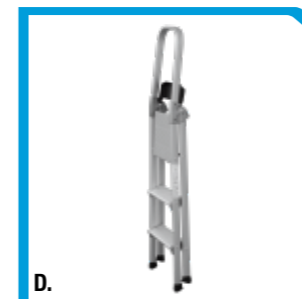


| Code | Steps* | A | B | C | D | E | F | G | Weight |
|-------|--------|------|------|------|-----|------|-----|------|--------|
| S0603 | 3 | 720 | 1360 | 1470 | 450 | 750 | 130 | 2570 | 5,5 kg |
| S0604 | 4 | 960 | 1600 | 1720 | 475 | 910 | 130 | 2810 | 6,5 kg |
| S0605 | 5 | 1200 | 1840 | 1970 | 500 | 1070 | 130 | 3050 | 8 kg |
| S0606 | 6 | 1440 | 2080 | 2220 | 525 | 1230 | 130 | 3290 | 9 kg |
| S0607 | 7 | 1680 | 2320 | 2470 | 550 | 1390 | 130 | 3530 | 10 kg |
| S0608 | 8 | 1920 | 2560 | 2720 | 575 | 1550 | 130 | 3770 | 11 kg |

* The platform is included in the number of steps - Measures are in mm



A. Objects holder and platform
B. Die casted hinge
C. Different heights



D. Ladder in resting position



Description

The ladder has two climb ramps and it is very solid. It has anodized aluminum frames and anti-slip steps. It is practical and durable and it provides to operator an excellent comfort.

STEPS: they are mounted on aluminum die-casted supports with rungs and antitorsion groove and they are fixed onto the frames.

WELD FREE AND RIVETING FREE

Technical Data

WEIGHT CAPACITY: 150 kg
(weight related to a person with tools)

STEPS: aluminum 95x23 mm

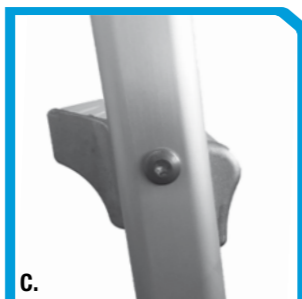
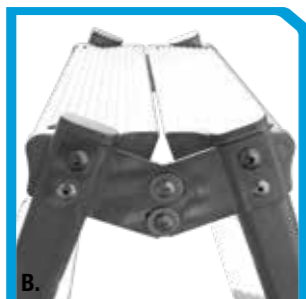
FRAMES: anodized aluminum
42x22 mm

HINGE JOINT: stainless steel

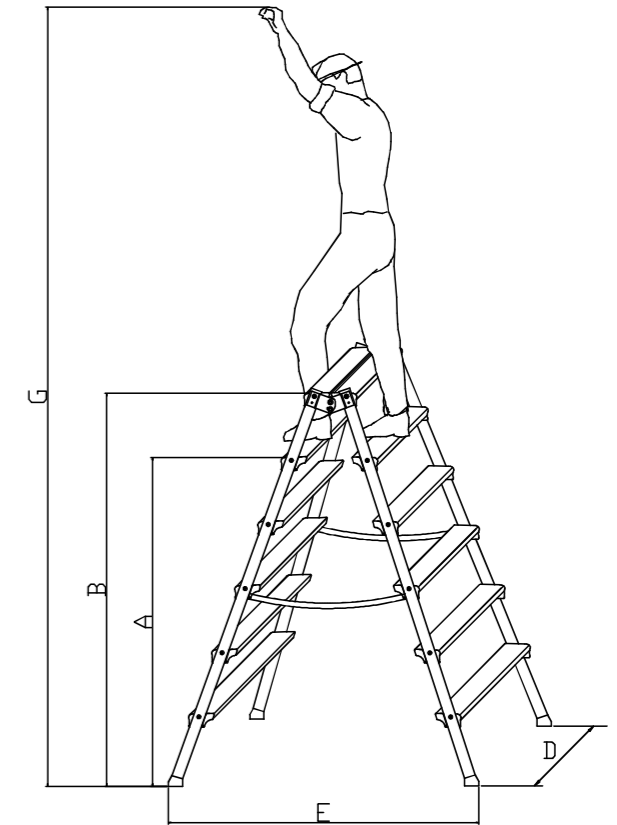
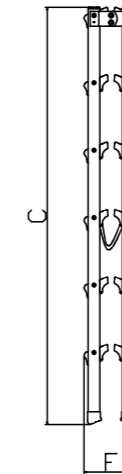
TOP WIDTH: 350 mm

SAFETY STANDARD:

D. Lgs. n° 81/2008



- A. Particular of platform
- B. Anti-opening hinge joint
- C. Particular of steps



| Code | Steps | A | B | C | D | E | F | G | Weight |
|-------|-------|------|------|------|-----|------|-----|------|---------|
| S1902 | 2+2 | 260 | 520 | 550 | 450 | 580 | 200 | 2010 | 5,2 kg |
| S1903 | 3+3 | 500 | 750 | 800 | 475 | 750 | 200 | 2250 | 6,1 kg |
| S1904 | 4+4 | 730 | 990 | 1050 | 500 | 920 | 200 | 2480 | 7 kg |
| S1905 | 5+5 | 970 | 1220 | 1300 | 525 | 1090 | 200 | 2720 | 7,9 kg |
| S1906 | 6+6 | 1200 | 1460 | 1550 | 550 | 1260 | 200 | 2950 | 8,8 kg |
| S1907 | 7+7 | 1430 | 1690 | 1800 | 575 | 1430 | 200 | 3180 | 9,7 kg |
| S1908 | 8+8 | 1670 | 1930 | 2050 | 600 | 1600 | 200 | 3420 | 10,6 kg |
| S1909 | 9+9 | 1900 | 2160 | 2300 | 625 | 1770 | 200 | 3650 | 11,5 kg |
| S1910 | 10+10 | 2140 | 2400 | 2550 | 650 | 1940 | 200 | 3890 | 12,4 kg |
| S1911 | 11+11 | 2370 | 2630 | 2800 | 675 | 2210 | 200 | 4120 | 13,3 kg |
| S1912 | 12+12 | 2610 | 2870 | 3050 | 700 | 2280 | 200 | 4360 | 14,2 kg |

Measures are in mm



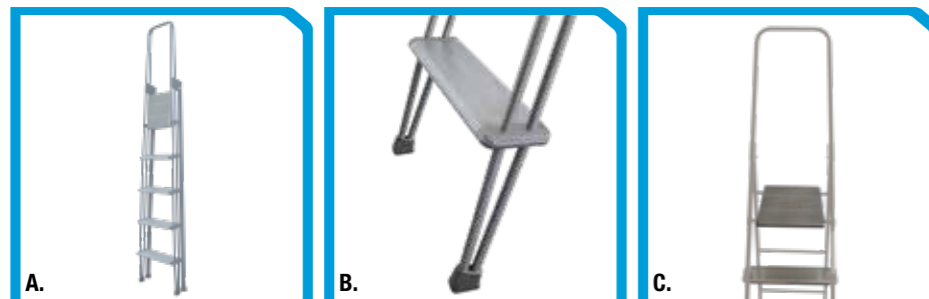
Description

The ladder has a single climb ramp, with double tube in steel and anti-slip aluminum steps. It is equipped with a comfortable guard rail which is 750 mm high.

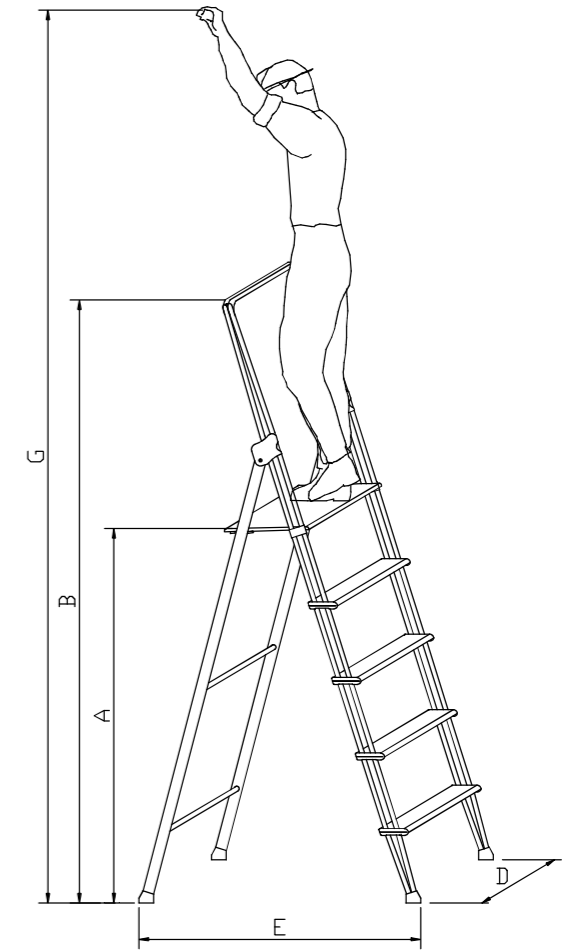
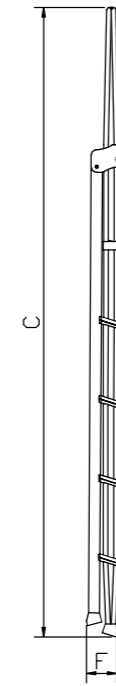
STEPS: WELD FREE AND RIVETING FREE

Technical Data

WEIGHT CAPACITY: 150 kg
(weight related to a person with tools)
PLATFORM: anti-slip aluminum
270x260 mm
STEPS: aluminum 95x23 mm
FRAMES: steel, double section
ø 15 mm
HINGE JOINT: stainless steel
TOP WIDTH: 260 mm
SAFETY STANDARD:
D. Lgs. n° 81/2008



A. Ladder in resting position
B. Feet and step detail
C. Guard rail



| Code | Steps* | A | B | C | D | E | F | G | Weight |
|-------|--------|------|------|------|-----|------|-----|------|---------|
| S0404 | 4 | 960 | 1680 | 1760 | 440 | 800 | 130 | 2850 | 8,8 kg |
| S0405 | 5 | 1200 | 1910 | 2010 | 460 | 950 | 130 | 3100 | 10 kg |
| S0406 | 6 | 1440 | 2150 | 2260 | 480 | 1100 | 130 | 3350 | 11,4 kg |
| S0407 | 7 | 1680 | 2400 | 2510 | 500 | 1230 | 130 | 3600 | 12,8 kg |
| S0408 | 8 | 1910 | 2630 | 2800 | 520 | 1400 | 130 | 3850 | 14,2 kg |
| S0409 | 9 | 2150 | 2870 | 3050 | 540 | 1540 | 130 | 4100 | 15,6 kg |
| S0410 | 10 | 2390 | 3110 | 3260 | 560 | 1690 | 130 | 4350 | 17,2 kg |
| S0411 | 11 | 2630 | 3360 | 3510 | 580 | 1840 | 130 | 4600 | 18,6 kg |
| S0412 | 12 | 2860 | 3590 | 3760 | 600 | 2020 | 130 | 4850 | 20,4 kg |

* The platform is included in the number of steps - Measures are in mm



Description

The ladder has a single climb ramp and it is very solid. It has anodized aluminum frames and anti-slip aluminum steps. It is particularly suitable for professional use, it is practical and durable and it provides to operator an excellent comfort. The ladder has a comfortable guard rail with height of 650 mm.

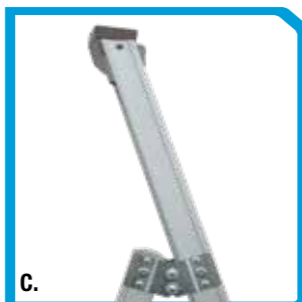
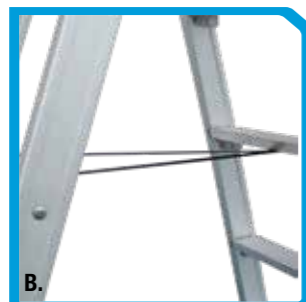
STEPS: they are mounted on aluminum die-casted supports with rungs and anti-torsion groove and they are fixed onto the frames.

WELD FREE AND RIVETING FREE

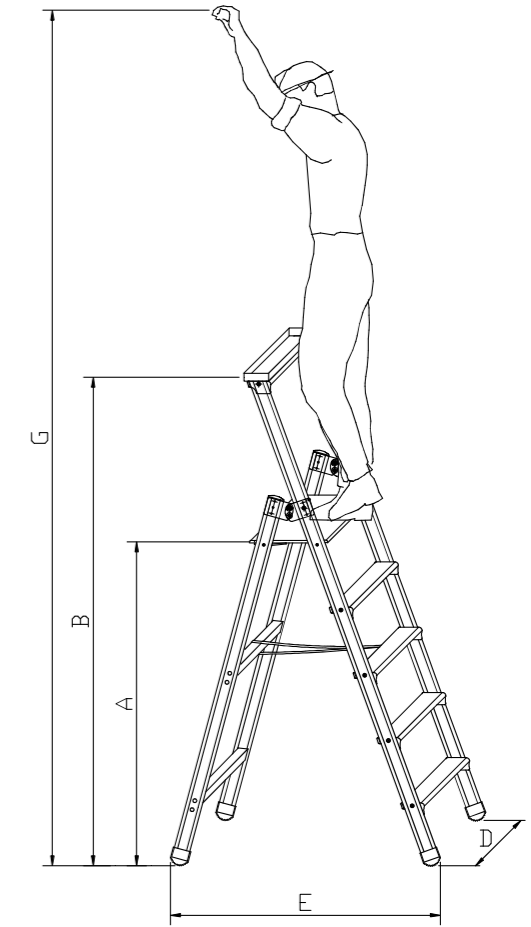
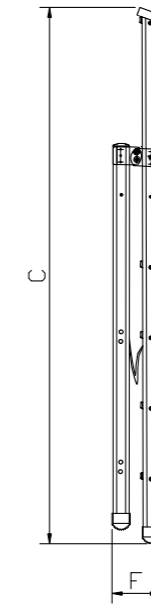
Technical Data

WEIGHT CAPACITY: 150 kg
(weight related to a person with tools)
PLATFORM: anti-slip aluminum 270x260 mm
STEPS: aluminum 95x23 mm
FRAMES: aluminum 65x30 mm
OBJECT HOLDER: in aluminum
HINGE JOINT: stainless steel
TOP WIDTH: 330 mm
SAFETY
UNI EN 131-2

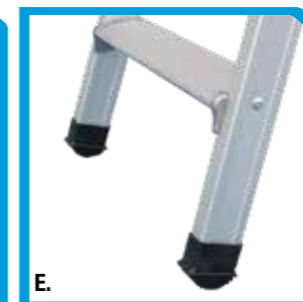
This model can also be supplied with handrail.



A. Different heights
B. Anti-opening tape
C. Guard rail detail



| Code | Steps* | A | B | C | D | E | F | G | Weight |
|-------|--------|------|------|------|-----|------|-----|------|---------|
| S1302 | 2 | 510 | 1210 | 1260 | 470 | 630 | 180 | 2200 | 6,8 kg |
| S1303 | 3 | 780 | 1470 | 1540 | 500 | 790 | 180 | 2500 | 8,4 kg |
| S1304 | 4 | 1050 | 1730 | 1820 | 530 | 950 | 180 | 2800 | 10 kg |
| S1305 | 5 | 1320 | 1990 | 2100 | 560 | 1110 | 180 | 3100 | 11,6 kg |
| S1306 | 6 | 1590 | 2250 | 2380 | 590 | 1270 | 180 | 3440 | 13,2 kg |
| S1307 | 7 | 1860 | 2510 | 2660 | 620 | 1450 | 180 | 3710 | 14,8 kg |
| S1308 | 8 | 2110 | 2770 | 2940 | 650 | 1650 | 180 | 3960 | 16,4 kg |
| S1309 | 9 | 2360 | 3030 | 3220 | 680 | 1850 | 180 | 4210 | 18,2 kg |
| S1310 | 10 | 2640 | 3300 | 3500 | 710 | 2010 | 180 | 4490 | 20 kg |



* The platform is included in the number of steps
Measures are in mm

D. Anti-opening hinge joint
E. Anti-slip rubber caps



Description

The ladder has two climb ramps and it is very solid. It has anodized aluminum frames and anti-slip aluminum steps. It is practical and durable and it provides to operator an excellent comfort.

STEPS: they are mounted on aluminum die-casted supports with rungs and anti-torsion groove and they are fixed onto the frames.

WELD FREE AND RIVETING FREE

Technical Data

WEIGHT CAPACITY: 150 kg
(weight related to a person with tools)

STEPS: aluminum 95x23 mm

FRAMES: aluminum 65x30 mm

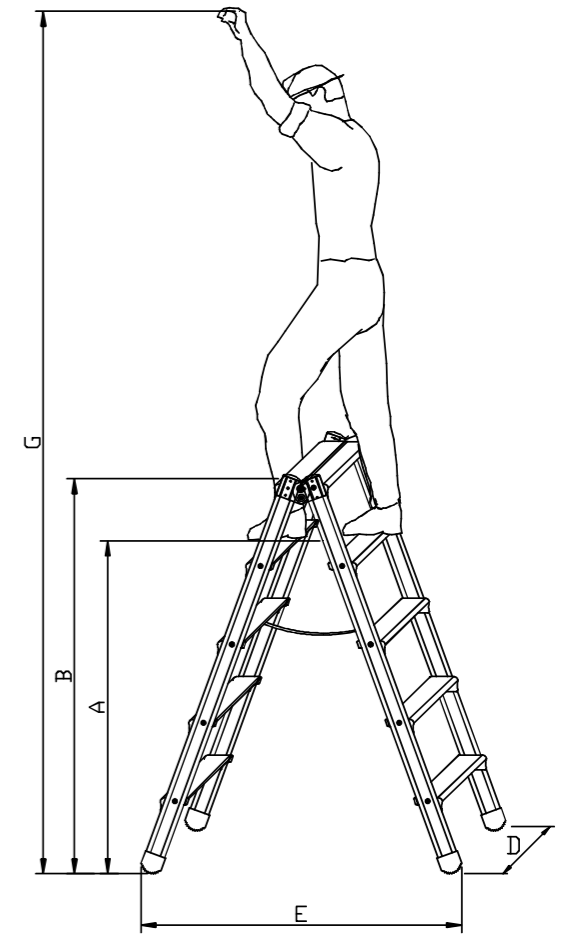
HINGE JOINT: stainless steel

TOP WIDTH: 400 mm

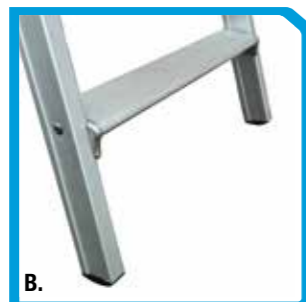
SAFETY STANDARD:

UNI EN 131-2

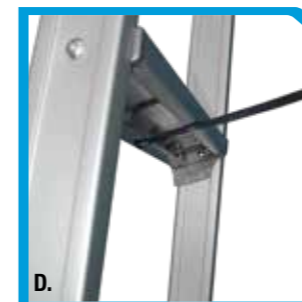
D. Lgs. n° 81/2008 for S1122-24



| Code | Steps | A | B | C | D | E | F | G | Weight |
|--------|-------|------|------|------|-----|------|-----|------|---------|
| S1108 | 4+4 | 790 | 1100 | 1140 | 530 | 860 | 200 | 2550 | 9 kg |
| S1110 | 5+5 | 1050 | 1360 | 1420 | 560 | 1050 | 200 | 2810 | 11 kg |
| S1112 | 6+6 | 1320 | 1630 | 1700 | 590 | 1210 | 200 | 3080 | 13 kg |
| S1114 | 7+7 | 1590 | 1900 | 1980 | 620 | 1370 | 200 | 3350 | 15,2 kg |
| S1116 | 8+8 | 1850 | 2160 | 2260 | 650 | 1570 | 200 | 3610 | 17,4 kg |
| S1118 | 9+9 | 2120 | 2430 | 2540 | 680 | 1760 | 200 | 3880 | 19,6 kg |
| S1120 | 10+10 | 2380 | 2690 | 2820 | 710 | 1920 | 200 | 4140 | 21,8 kg |
| S1122* | 11+11 | 2640 | 2950 | 3100 | 740 | 2110 | 200 | 4400 | 24 kg |
| S1124* | 12+12 | 2900 | 3210 | 3380 | 770 | 2300 | 200 | 4660 | 26 kg |



A. Different heights
B. Anti-slip rubber caps
C. Anti-opening hinge



* Complying with D. Lgs. n° 81/2008
Measures are in mm

D. Anti-opening tape



Description

The ladder has a trunk of climb and it is very solid. It has anodized aluminum frames and anti-slip steps. It is different from the standard model because it has deeper steps (150 mm). It is practical and durable and it provides to operator an excellent comfort. The ladder has a comfortable guard rail with height of 680 mm.

STEPS: they are mounted on aluminum die-casted supports with rungs and anti-torsion groove and they are fixed onto the frames.

WELD FREE AND RIVETING FREE

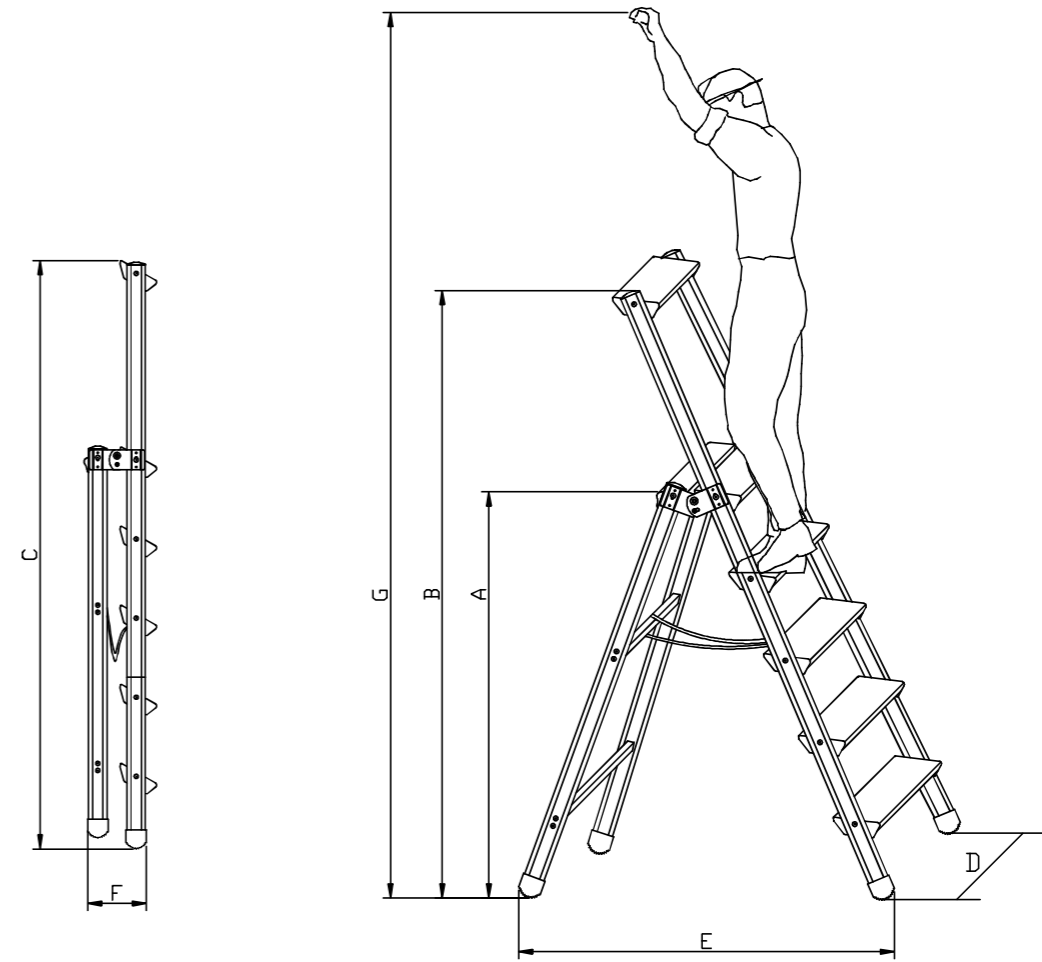
Technical Data

WEIGHT CAPACITY: 150 kg
(weight related to a person with tools)
PLATFORM: aluminum 385x265 mm
STEPS: aluminum 150x23 mm
FRAMES: aluminum 65x30 mm
OBJECT HOLDER: aluminum 320x150 mm
HINGE JOINT: stainless steel
TOP WIDTH: 380 mm
SAFETY STANDARD
D. Lgs. n° 81/2008

This model can also be supplied with handrail.

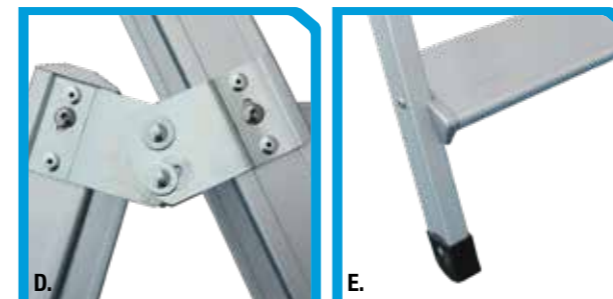


A. Different heights
B. Anti-opening tape
C. Guard rail



| Code | Steps* | A | B | C | D | E | F | G | Weight |
|-------|--------|------|------|------|-----|------|-----|------|---------|
| S1402 | 2 | 540 | 1170 | 1230 | 510 | 610 | 260 | 2350 | 10,4 kg |
| S1403 | 3 | 790 | 1420 | 1510 | 540 | 800 | 260 | 2630 | 11,6 kg |
| S1404 | 4 | 1040 | 1670 | 1790 | 570 | 990 | 260 | 2880 | 13 kg |
| S1405 | 5 | 1290 | 1920 | 2070 | 600 | 1180 | 260 | 3130 | 14,6kg |
| S1406 | 6 | 1540 | 2170 | 2350 | 630 | 1370 | 260 | 3390 | 16,8kg |
| S1407 | 7 | 1790 | 2420 | 2630 | 660 | 1580 | 260 | 3640 | 19kg |
| S1408 | 8 | 2040 | 2680 | 2910 | 690 | 1770 | 260 | 3890 | 21,4kg |

* The platform is included in the number of steps - Measures are in mm



D. Anti-opening hinge joint
E. Anti-slip rubber caps

Description

It is a very solid multiuse ladder with two climb ramps. It has aluminum sides and anti-slip aluminum steps.

It is particularly suitable for professional use; it is practical and light and it provides to operator an excellent comfort.

It can be used as support ladder, as tripod ladder and as lame ladder (2 different base surfaces).

The ladder has a stabilizer bar.

Steps: anti-slip aluminum pegs.

Technical Data

WEIGHT CAPACITY: 150 kg
(weight related to a person with tools)

STEPS: anti-slip aluminum 30x30mm

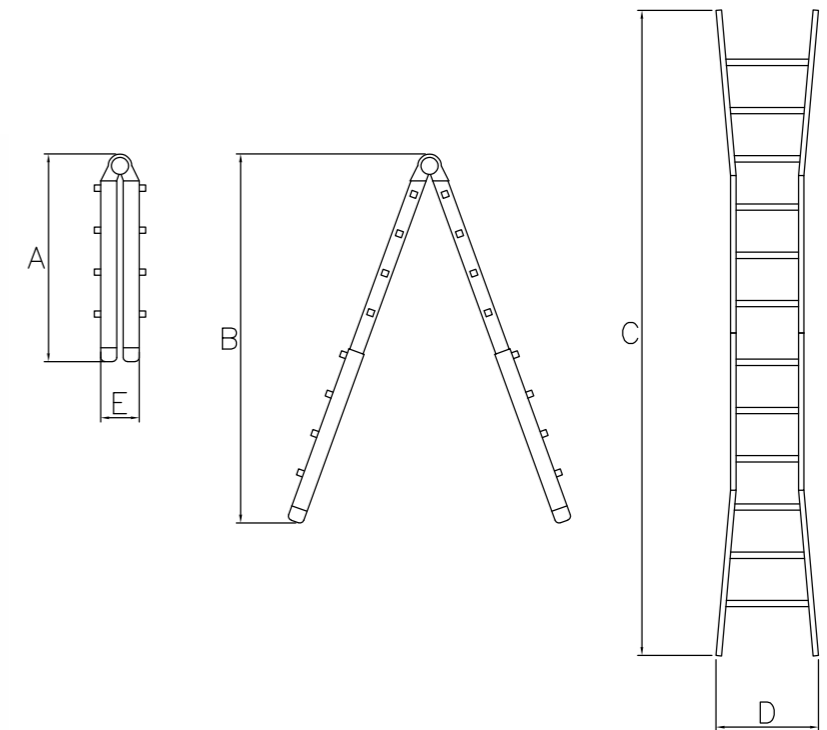
SIDES:

- Upper side 68x25mm
- Lower side 77x26mm

HINGES: aluminum lamellar hing

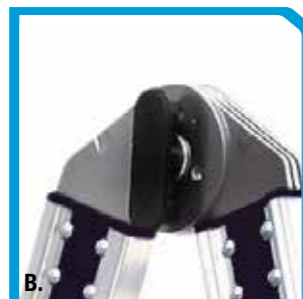
SAFETY STANDARD:

UNI EN 131-1, UNI EN 131-4

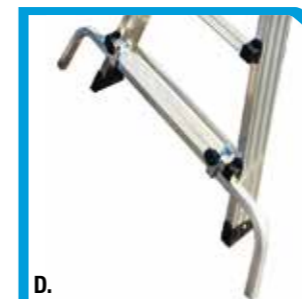


| Code | Steps | A | B | C | D | E | Weight |
|--------|-------|------|------|------|-----|-----|---------|
| ST0012 | 3x4 | 990 | 1550 | 3080 | 500 | 200 | 9,6 kg |
| ST0016 | 4x4 | 1290 | 2050 | 4280 | 630 | 200 | 12,4 kg |
| ST0020 | 5x4 | 1590 | 2650 | 5480 | 630 | 200 | 14,9 kg |
| ST0024 | 6x4 | 1890 | 2950 | 6080 | 660 | 200 | 17,2 kg |

Measures are expressed in mm
Measures "D" with stabilizer bar mounted is 915 mm



- A. Accessory for inclined bases
- B. Hinge
- C. Anti -slip rubber cap
- D. Stabilizer bar





Description

The ladder is in fiberglass and aluminum and it has a single climb ramp. Thanks to the properties of electrical insulation, this ladder ensures safety to operators working in the field of electrical systems.

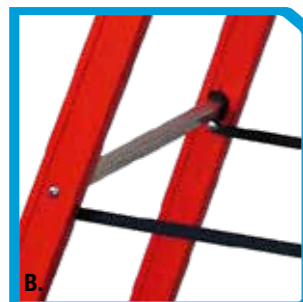
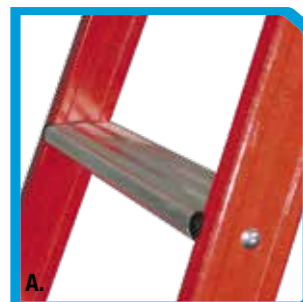
The ladder is equipped with a comfortable guard rail with height of 670 mm.

STEPS: they are mounted on nylon supports with rungs and anti-torsion groove and they are fixed onto the frames.

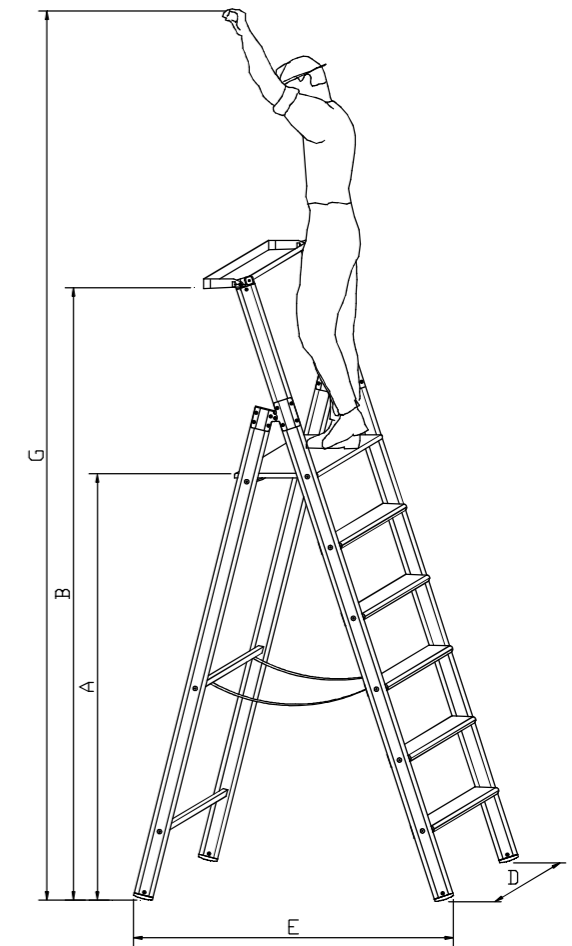
WELD FREE AND RIVETING FREE

Technical Data

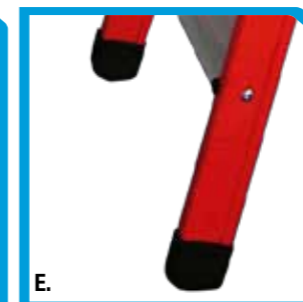
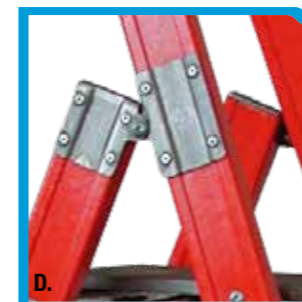
WEIGHT CAPACITY: 150 kg
(weight related to a person with tools)
PLATFORM: aluminum 270x260 mm
STEPS: aluminum 80x23 mm
FRAMES: glass fiber 65x30 mm
OBJECT HOLDER: nylon
HINGE JOINT: galvanized steel
TOP WIDTH: 360 mm
SAFETY STANDARD:
UNI EN 131-2



A. Anti-slip aluminum step
B. Anti-opening tape
C. Guard rail



| Code | Steps | A | B | C | D | E | F | G | Weight |
|-----------|-------|------|------|------|-----|------|-----|------|---------|
| SVSP/1-2 | 2 | 480 | 1100 | 1220 | 490 | 610 | 180 | 2250 | 7 kg |
| SVSP/1-3 | 3 | 720 | 1340 | 1470 | 520 | 780 | 180 | 2480 | 8 kg |
| SVSP/1-4 | 4 | 960 | 1580 | 1720 | 550 | 950 | 180 | 2710 | 9 kg |
| SVSP/1-5 | 5 | 1200 | 1820 | 1970 | 580 | 1120 | 180 | 2950 | 10,2 kg |
| SVSP/1-6 | 6 | 1440 | 2060 | 2220 | 610 | 1290 | 180 | 3190 | 12,5 kg |
| SVSP/1-7 | 7 | 1680 | 2300 | 2470 | 640 | 1460 | 180 | 3430 | 13,8 kg |
| SVSP/1-8 | 8 | 1920 | 2540 | 2970 | 670 | 1630 | 180 | 3670 | 16 kg |
| SVSP/1-9 | 9 | 2160 | 2780 | 3220 | 700 | 1800 | 180 | 3910 | 18,2 kg |
| SVSP/1-10 | 10 | 2400 | 3020 | 3470 | 730 | 1970 | 180 | 4150 | 20,4 kg |



* The platform is included in the number of steps
Measures are in mm

D. Anti-opening junctions
E. Anti-slip rubber caps



Description

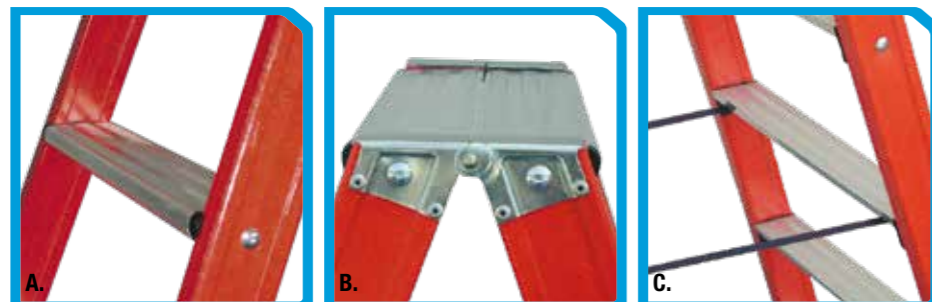
The ladder has two climb ramps and it is in fiberglass and aluminum. Thanks to the properties of electrical insulation, this ladder ensures safety to operators working in the field of electrical systems.

STEPS: they are mounted on nylon supports with rungs and anti-torsion groove and they are fixed onto the frames.

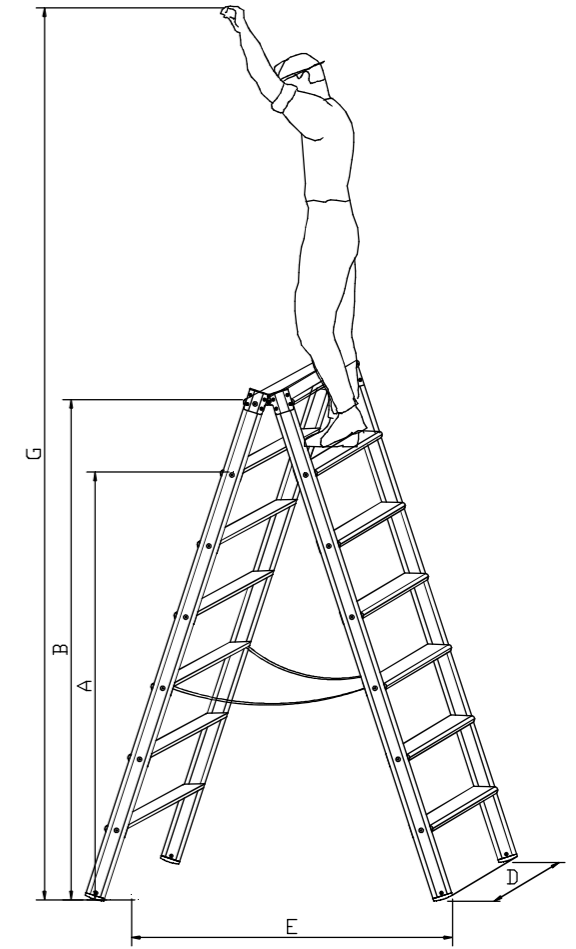
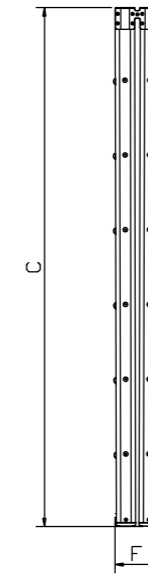
WELD FREE AND RIVETING FREE

Technical Data

WEIGHT CAPACITY: 150 kg
(weight related to a person with tools)
STEPS: aluminum 80x23 mm
FRAMES: fiberglass 65x30 mm
HINGE JOINT: galvanized steel
TOP WIDTH: 410 mm
SAFETY STANDARD:
D. Lgs. n° 81/2008



A. Anti-slip aluminum step
B. Last step
C. Anti-opening tape



| Code | Steps | A | B | C | D | E | F | G | Weight |
|-----------|-------|------|------|------|-----|------|-----|------|---------|
| SVSP/2-3 | 3+3 | 720 | 960 | 1020 | 500 | 630 | 150 | 2480 | 7 kg |
| SVSP/2-4 | 4+4 | 960 | 1200 | 1280 | 530 | 800 | 150 | 2710 | 8,5 kg |
| SVSP/2-5 | 5+5 | 1200 | 1440 | 1530 | 560 | 970 | 150 | 2950 | 10 kg |
| SVSP/2-6 | 6+6 | 1440 | 1680 | 1780 | 590 | 1140 | 150 | 3190 | 11,5 kg |
| SVSP/2-7 | 7+7 | 1680 | 1920 | 2040 | 620 | 1310 | 150 | 3430 | 13 kg |
| SVSP/2-8 | 8+8 | 1920 | 2160 | 2300 | 650 | 1480 | 150 | 3670 | 14,5 kg |
| SVSP/2-9 | 9+9 | 2160 | 2400 | 2550 | 680 | 1650 | 150 | 3910 | 16 kg |
| SVSP/2-10 | 10+10 | 2400 | 2630 | 2810 | 710 | 1820 | 150 | 4150 | 17,5 kg |

Measures are in mm



Description

The ladder is made of aluminum and it has anodized aluminum frames and anti-slip steps. It is constructed without welding and composed by 2 or 3 elements. It can be used also as a stepladder. This ladder is equipped with stabilizer bar and anti-opening device. **N.B.** Safety sleeve is compulsory over 8 m (according to D. Lgs. n° 81/2008)

STEPS: WELD FREE AND RIVETING FREE

Technical Data

WEIGHT CAPACITY: 150 kg (weight related to a person with tools)
STEPS: aluminum 35x24 mm
FRAMES: anodized aluminum 68x30 mm
BASE ELEMENT DIMENSION:
 • With closed bar: 700 mm
 • With opened bar: 1150 mm
ELEMENTS WIDTH:
 • Middle: 475 mm
 • Final: 410 mm
SAFETY STANDARD:
 UNI EN 131-2;
 D. Lgs. n° 81/2008 for S1014

Possibility of receiving the product in two or three elements

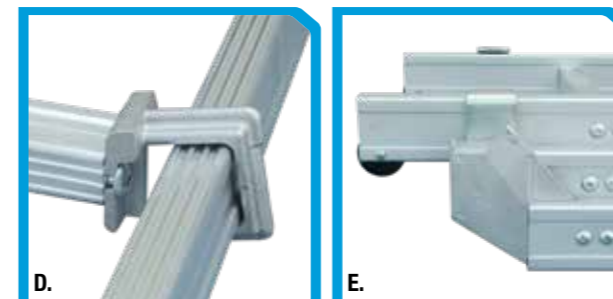


A. Anti-opening device
 B. Anti-release device
 C. Stabilizer bar detail



| Code | Steps | Ladder Elements | Height to Book | Extension Height | Tot. Closed Height | Weight |
|--------|-------|-----------------|----------------|------------------|--------------------|--------|
| S0908 | 8 | 2 | 2310 | 4100 | 2420 | 21 kg |
| S0910 | 10 | 2 | 2840 | 5220 | 2980 | 26 kg |
| S0912 | 12 | 2 | 3380 | 6340 | 3540 | 32 kg |
| S0914 | 14 | 2 | 3920 | 7460 | 4100 | 37 kg |
| S1008 | 8 | 3 | 3160 | 5890 | 2520 | 30 kg |
| S1010 | 10 | 3 | 3700 | 7570 | 3080 | 37 kg |
| S1012 | 12 | 3 | 4240 | 9220 | 3640 | 44 kg |
| S1014* | 14 | 3 | 4770 | 10900 | 4200 | 51 kg |

* Complying with D.Lgs. n° 81/2008 - Measures are in mm



D. Anti-opening device
 E. Elements joint



Description

The ladder is made with fiberglass frames and anti-slip steps. It is constructed without welding and it is composed by 2 or 3 elements. It can be used also as a stepladder. Thanks to the properties of electrical insulation, this ladder ensures safety to operators working in the field of electrical systems.

N.B.: Safety sleeve is compulsory over 8 m (according to D. Lgs. n° 81/2008)

STEPS: WELD FREE AND RIVETING FREE

Technical Data

WEIGHT CAPACITY: 150 kg (weight related to a person with tools)

STEPS: aluminum 25x23 mm

FRAMES: glass fiber 65x30 mm

BASE ELEMENT DIMENSION:

- With closed bar: 700 mm
- With opened bar: 1150 mm

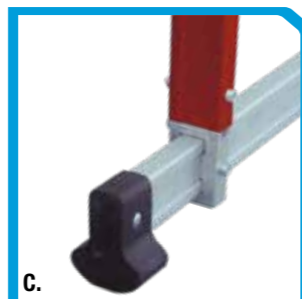
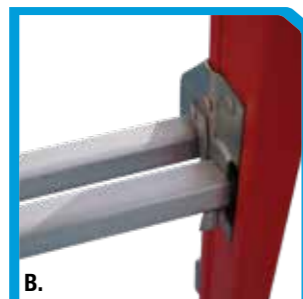
ELEMENTS WIDTH:

- Middle: 475 mm
- Final: 410 mm

SAFETY STANDARD:

D. Lgs. n° 81/2008

Possibility of receiving the product in two or three elements



- A. Anti-opening device
- B. Anti-release device
- C. Stabilizer bar detail



| Code | Steps | Ladder Elements | Extension Height | Tot. Closed Height | Weight |
|--------|-------|-----------------|------------------|--------------------|--------|
| S4207V | 7 | 2 | 3600 | 2200 | 16 kg |
| S4208V | 8 | 2 | 4180 | 2500 | 17 kg |
| S4209V | 9 | 2 | 4750 | 2780 | 19 kg |
| S4210V | 10 | 2 | 5330 | 3060 | 21 kg |
| S4212V | 12 | 2 | 6450 | 3600 | 24 kg |
| S4307V | 7 | 3 | 5020 | 2200 | 22 kg |
| S4308V | 8 | 3 | 5850 | 2500 | 25 kg |
| S4309V | 9 | 3 | 6700 | 2780 | 27 kg |
| S4310V | 10 | 3 | 7550 | 3060 | 30 kg |
| S4312V | 12 | 3 | 9250 | 3600 | 35 kg |

Measures are in mm



Description

The ladder is made with aluminum frames and aluminum anti-slip steps. On request, the ladder can be supplied with two hooks to fix the ladder on any furniture, wall or shelf. The ladder is equipped with a guard rail for safety of the operator. It is light, practical, durable and it is suitable for intensive use.

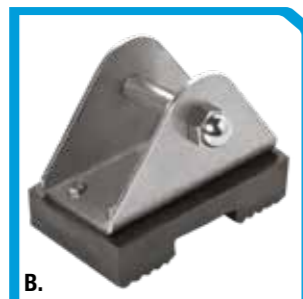
STEPS: they are mounted on aluminum die-casted supports with rungs and anti-torsion groove and they are fixed onto the frames.

WELD FREE AND RIVETING FREE

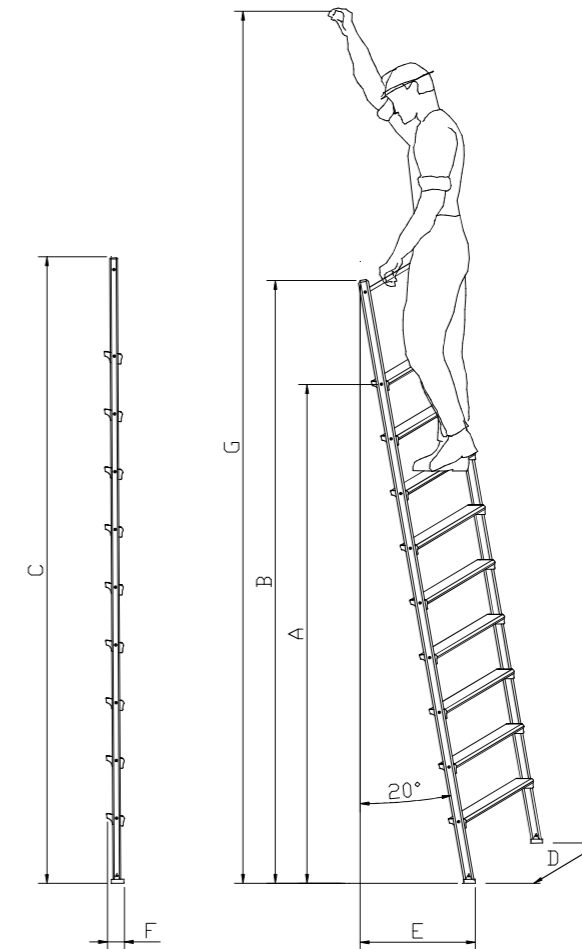
Technical Data

WEIGHT CAPACITY: 150 kg
(weight related to a person with tools)
STEPS: aluminum 95x23 mm
FRAMES: anodized aluminum 65x30 mm
TOP WIDTH: 350 mm
SAFETY STANDARD: UNI EN 131-2

On this model hooks and handrails are optionally available



- A. Anti-torsion supports
- B. Foot detail
- C. Iron hooks



| Code | Steps | A | B | C | D | E | F | G | Weight |
|--------|--------------------------------|------|------|------|-----|------|-----|------|----------|
| S0809P | 9 | 2430 | 2870 | 3030 | 600 | 1160 | 120 | 4280 | 11,2 kg |
| S0811P | 11 | 2970 | 3360 | 3530 | 640 | 1360 | 120 | 4820 | 13,2 kg |
| S0812P | 12 | 3240 | 3850 | 4030 | 660 | 1490 | 120 | 5090 | 14,8 kg |
| S0814P | 14 | 3750 | 4300 | 4530 | 700 | 1670 | 120 | 5600 | 17,2 kg |
| S0816P | 16 | 4280 | 4770 | 5030 | 740 | 1860 | 120 | 6130 | 19,4 kg |
| S0818P | 18 | 4860 | 5280 | 5530 | 780 | 2000 | 120 | 6710 | 21,8 kg |
| S0819P | 19 | 5100 | 5720 | 6030 | 800 | 2180 | 120 | 6950 | 23,4 kg |
| S0515 | Anodized aluminum rail ø 30 mm | | | | | | | | 0,60kg/m |

Measures are in mm



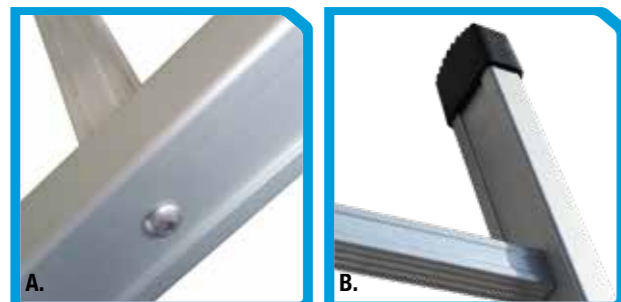
Description

The ladder is made with aluminum frames and aluminum anti-slip steps. Thanks to its symmetric measures and to the rubber feet in both ends of the frames, the ladder can be used in both directions.

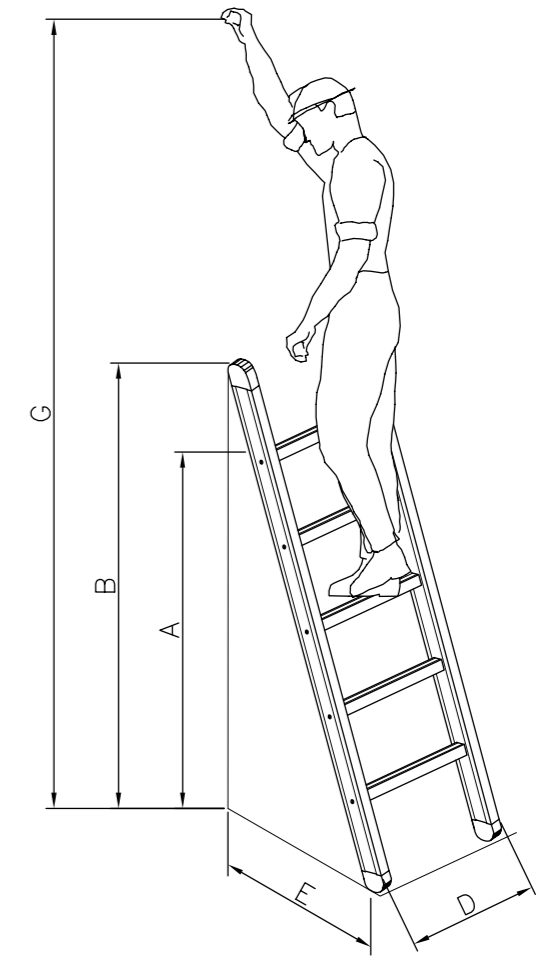
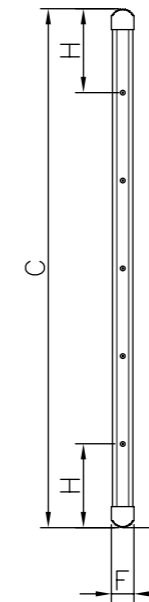
STEPS: WELD FREE AND RIVETING FREE

Technical Data

WEIGHT CAPACITY: 150 kg
(weight related to a person with tools)
STEPS: aluminum 35x24 mm
FRAMES: anodized aluminum 65x30 mm
TOP WIDTH: 415 mm
SAFETY STANDARD:
D. Lgs. n° 81/2008



A. Step fixing
B. Foot detail



| Code | Steps | A | B | C | D | E | F | G | H | Weight |
|-------|-------|------|------|------|-----|------|----|------|-----|---------|
| S2003 | 3 | 795 | 1030 | 1095 | 415 | 390 | 70 | 2095 | 270 | 3,3 kg |
| S2004 | 4 | 1060 | 1295 | 1375 | 415 | 485 | 70 | 2360 | 270 | 4,1 kg |
| S2005 | 5 | 1325 | 1560 | 1655 | 415 | 580 | 70 | 2625 | 270 | 4,9 kg |
| S2006 | 6 | 1590 | 1825 | 1935 | 415 | 675 | 70 | 2890 | 270 | 5,7 kg |
| S2007 | 7 | 1855 | 2090 | 2215 | 415 | 770 | 70 | 3155 | 270 | 6,5 kg |
| S2008 | 8 | 2120 | 2355 | 2495 | 415 | 865 | 70 | 3420 | 270 | 7,3 kg |
| S2009 | 9 | 2385 | 2620 | 2775 | 415 | 960 | 70 | 3685 | 270 | 8,1 kg |
| S2010 | 10 | 2650 | 2885 | 3055 | 415 | 1055 | 70 | 3950 | 270 | 8,9 kg |
| S2011 | 11 | 2915 | 3150 | 3335 | 415 | 1150 | 70 | 4215 | 270 | 9,7 kg |
| S2012 | 12 | 3180 | 3415 | 3615 | 415 | 1245 | 70 | 4480 | 270 | 10,5 kg |
| S2013 | 13 | 3445 | 3680 | 3895 | 415 | 1340 | 70 | 4745 | 270 | 11,3 kg |
| S2014 | 14 | 3710 | 3945 | 4175 | 415 | 1435 | 70 | 5010 | 270 | 12,1 kg |
| S2015 | 15 | 3975 | 4210 | 4455 | 415 | 1530 | 70 | 5275 | 270 | 12,9 kg |

Measures are in mm



Description

The ladder is made with aluminum frames and aluminum anti-slip steps. It is available in 3 versions:

- **F11:** with pegs 35x24 mm
- **F11/P:** with steps 95x23 mm
- **F11/L:** with steps 150x23 mm

Moreover, there are three types of stainless steel handrail:

- Short handrail kit
- Handrail kit for landing
- Handrail kit for wall

On request, the ladder can be supplied with two hooks for fixing the ladder on any furniture, wall or shelf.

STEPS: they are mounted on aluminum die-casted supports with rungs and anti-torsion groove and they are fixed onto the frames.

WELD FREE AND RIVETING FREE

Technical Data

WEIGHT CAPACITY: 150 kg
(weight related to a person with tools)

STEPS:

- aluminum 95x23 mm in the version F11/P
- aluminum 150x23 mm in the version F11/L
- **PEGS:** anti-slip aluminum 35x24 in the version F11

FRAMES: anodized aluminum 65x30 mm

TOPWIDTH:

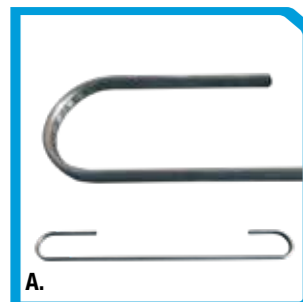
- With pegs = 500 mm
- With steps 95x23 = 500 mm
- With steps 150x23 = 510 mm

SAFETY STANDARD:

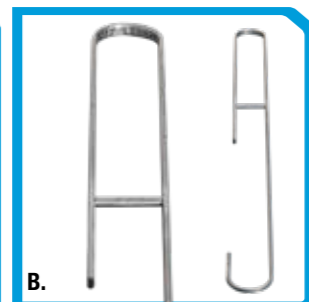
D. Lgs. n° 81/2008

On this model hooks and handrails are optionally available

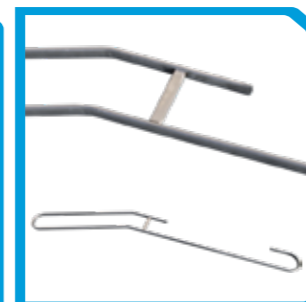
A. Short handrail



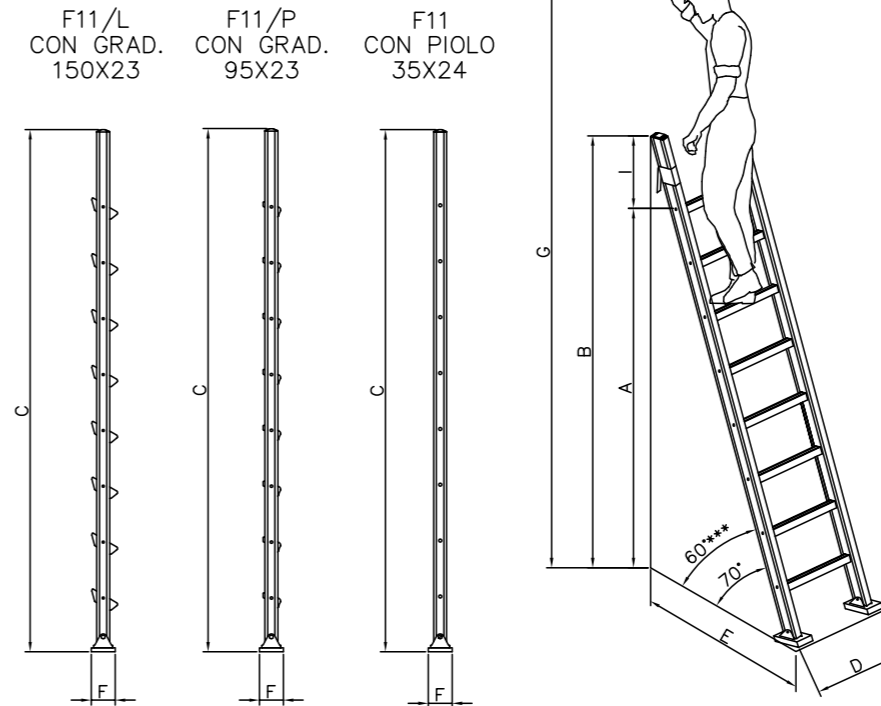
B. Handrail for landing



C. Handrail for wall



D. Short handrail in aluminum



* Measures concerning only F11 with pegs 35x24

** Measures concerning only F11/P with steps 95x23

*** Measures concerning only F11/L with steps 150x23 - Measures are in mm

Rail Fixing Heights Ladders F11

**F11 - PEGS 35X24
F11/P - STEPS 95X23
INCLINATION 20°**

| | | |
|-------|---------|-------------|
| S2103 | S2103/P | 870 - 1110 |
| S2104 | S2104/P | 1120 - 1370 |
| S2105 | S2105/P | 1380 - 1630 |
| S2106 | S2106/P | 1640 - 1900 |
| S2107 | S2107/P | 1910 - 2160 |
| S2108 | S2108/P | 2170 - 2420 |
| S2109 | S2109/P | 2430 - 2680 |
| S2110 | S2110/P | 2670 - 2950 |
| S2111 | S2111/P | 2960 - 3210 |
| S2112 | S2112/P | 3220 - 3480 |
| S2113 | S2113/P | 3490 - 3740 |
| S2114 | S2114/P | 3750 - 4000 |
| S2115 | S2115/P | 4010 - 4260 |
| S2116 | S2116/P | 4270 - 4520 |
| S2117 | S2117/P | 4530 - 4780 |
| S2118 | S2118/P | 4790 - 5040 |
| S2119 | S2119/P | 5050 - 5300 |
| S2120 | S2120/P | 5310 - 5560 |

**F11 - STEPS 150X23
INCLINATION 30°**

| | |
|---------|-------------|
| S2103/L | 800 - 1030 |
| S2104/L | 1040 - 1270 |
| S2105/L | 1280 - 1510 |
| S2106/L | 1520 - 1750 |
| S2107/L | 1760 - 2000 |
| S2108/L | 2010 - 2230 |
| S2109/L | 2240 - 2470 |
| S2110/L | 2480 - 2710 |
| S2111/L | 2720 - 2950 |
| S2112/L | 2960 - 3180 |
| S2113/L | 3200 - 3410 |
| S2114/L | 3440 - 3640 |
| S2115/L | 3680 - 3870 |
| S2116/L | 3920 - 4100 |
| S2117/L | 4160 - 4330 |
| S2118/L | 4400 - 4560 |
| S2119/L | 4640 - 4790 |
| S2120/L | 4880 - 5020 |

| Code | Steps | A | | B | | C | D | | | E | | F | G | | Weight (Kg) | | |
|-------|-------|----------|---------|----------|---------|------|------|-------|--------|----------|--------|-----|------|---------|-------------|--------|---------|
| | | F11/F11P | F11L | F11/F11P | F11L | | F11 | F11P | F11L | F11/F11P | F11L | | F11 | F11P | F11L | | |
| S2103 | 3 | 820 | 760*** | 1270 | 1180*** | 1330 | 500* | 560** | 565*** | 380 | 550** | 120 | 2140 | 2120*** | 4,3* | 4,1** | 4,5*** |
| S2104 | 4 | 1080 | 1000*** | 1530 | 1420*** | 1610 | 500* | 580** | 585*** | 490 | 690** | 120 | 2400 | 2360*** | 5,1* | 5,2** | 6*** |
| S2105 | 5 | 1340 | 1240*** | 1790 | 1660*** | 1890 | 500* | 600** | 605*** | 590 | 830** | 120 | 2660 | 2600*** | 5,9* | 6,4** | 7,5*** |
| S2106 | 6 | 1600 | 1480*** | 2050 | 1900*** | 2170 | 500* | 620** | 625*** | 680 | 970** | 120 | 2920 | 2840*** | 6,7* | 7,6** | 9*** |
| S2107 | 7 | 1860 | 1720*** | 2310 | 2140*** | 2450 | 500* | 640** | 645*** | 780 | 1110** | 120 | 3180 | 3080*** | 7,5* | 8,8** | 10,5*** |
| S2108 | 8 | 2120 | 1960*** | 2570 | 2380*** | 2730 | 500* | 660** | 665*** | 880 | 1250** | 120 | 3440 | 3220*** | 8,3* | 10** | 12*** |
| S2109 | 9 | 2380 | 2200*** | 2830 | 2620*** | 3010 | 500* | 680** | 685*** | 980 | 1390** | 120 | 3700 | 3560*** | 9,1* | 11,2** | 13,5*** |
| S2110 | 10 | 2640 | 2450*** | 3090 | 2860*** | 3290 | 500* | 700** | 705*** | 1080 | 1530** | 120 | 3960 | 3800*** | 10* | 12,4** | 15*** |
| S2111 | 11 | 2910 | 2700*** | 3360 | 3100*** | 3570 | 500* | 720** | 725*** | 1170 | 1670** | 120 | 4220 | 4040*** | 10,8* | 13,6** | 16,5*** |
| S2112 | 12 | 3170 | 2940*** | 3620 | 3340*** | 3850 | 500* | 740** | 745*** | 1270 | 1810** | 120 | 4490 | 4280*** | 11,7* | 14,9** | 18*** |
| S2113 | 13 | 3430 | 3180*** | 3880 | 3580*** | 4130 | 500* | 760** | 765*** | 1360 | 1950** | 120 | 4750 | 4520*** | 12,6* | 16,2** | 19,5*** |
| S2114 | 14 | 3700 | 3420*** | 4140 | 3820*** | 4410 | 500* | 780** | 785*** | 1460 | 2090** | 120 | 5010 | 4760*** | 13,4* | 17,5** | 21*** |
| S2115 | 15 | 3960 | 3660*** | 4410 | 4060*** | 4690 | 500* | 800** | 805*** | 1560 | 2230** | 120 | 5280 | 5000*** | 14,3* | 18,8** | 22,5*** |
| S2116 | 16 | 4220 | 3900*** | 4680 | 4300*** | 4970 | 500* | 820** | 825*** | 1660 | 2370** | 120 | 5550 | 5240*** | 15,1* | 20,1** | 24*** |
| S2117 | 17 | 4480 | 4140*** | 4950 | 4540*** | 5250 | 500* | 840** | 845*** | 1760 | 2510** | 120 | 5820 | 5480*** | 16* | 21,4** | 25,5*** |
| S2118 | 18 | 4740 | 4380*** | 5220 | 4780*** | 5530 | 500* | 860** | 865*** | 1860 | 2650** | 120 | 6090 | 5720*** | 16,8* | 22,7** | 27*** |
| S2119 | 19 | 5000 | 4620*** | 5490 | 5020*** | 5810 | 500* | 880** | 885*** | 1960 | 2790** | 120 | 6360 | 5960*** | 17,7* | 24** | 28,5*** |
| S2120 | 20 | 5260 | 4860*** | 5760 | 5260*** | 6090 | 500* | 900** | 905*** | 2060 | 2930** | 120 | 6630 | 6200*** | 18,5* | 25,3** | 30*** |



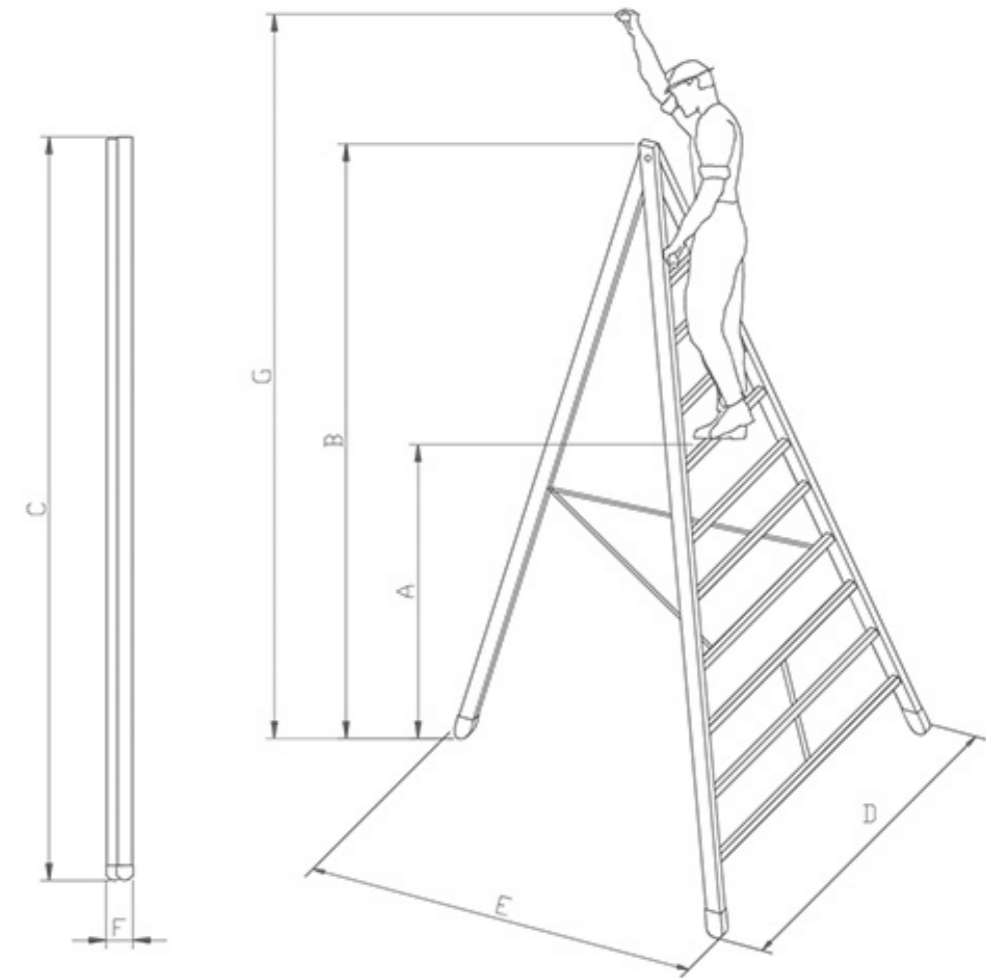
Description

The ladder is made with aluminum frames and aluminum anti-slip steps. On request, it can be supplied with galvanized iron spikes instead of the rubber feet at the base of the three frames, in order to increase the grip on uneven or sloping grounds. It is light, practical and durable and it is suitable for intensive use.

Technical Data

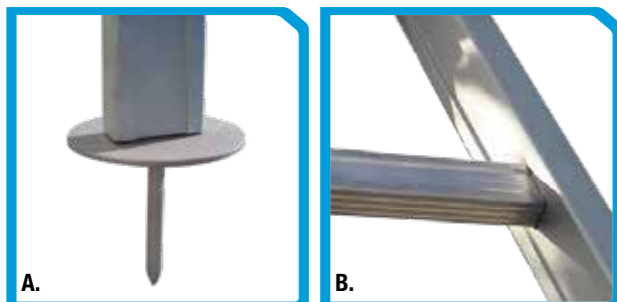
WEIGHT CAPACITY: 150 kg
(weight related to a person with tools)
STEPS: aluminum 35x24 mm
FRAMES: anodized aluminum 65x30 mm
SAFETY STANDARD:
D. Lgs. n° 81/2008

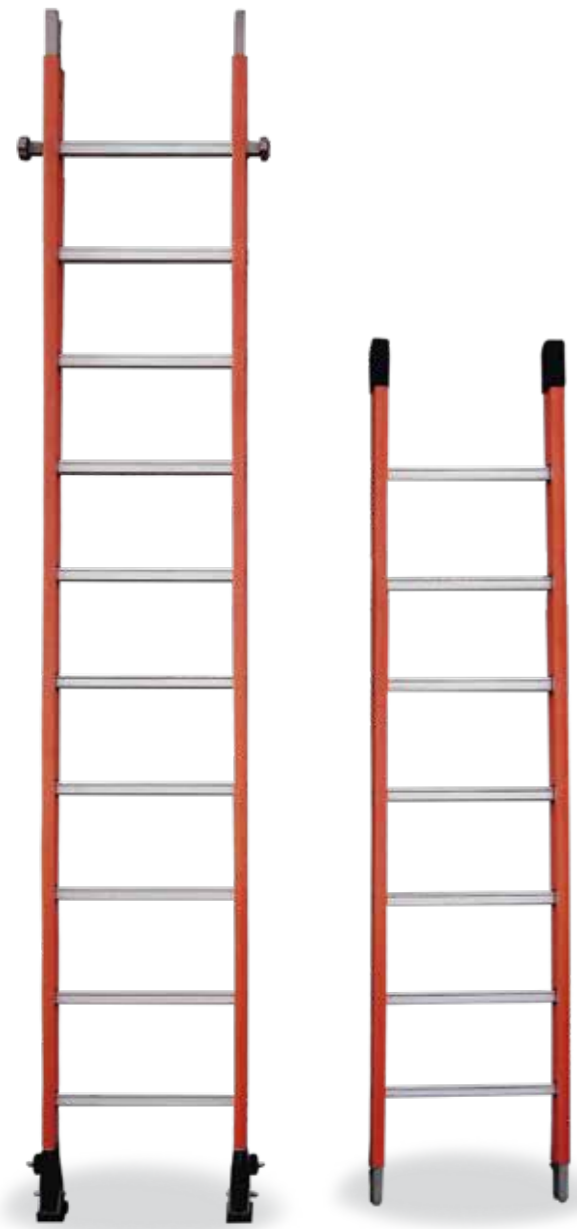
A. Galvanized iron spike
B. Step particular



| Code | Steps | A | B | C | D | E | F | G | Weight |
|-------|-------|------|------|------|------|------|-----|------|--------|
| S6006 | 6 | 1070 | 2050 | 2160 | 870 | 1380 | 140 | 2920 | 11 kg |
| S6008 | 8 | 1590 | 2580 | 2720 | 1060 | 1770 | 140 | 3440 | 13 kg |
| S6010 | 10 | 2110 | 3110 | 3280 | 1260 | 2150 | 140 | 3960 | 15 kg |
| S6012 | 12 | 2640 | 3640 | 3840 | 1320 | 2540 | 140 | 4490 | 18 kg |
| S6014 | 14 | 3160 | 4170 | 4400 | 1500 | 2930 | 140 | 5000 | 21 kg |

Measures are in mm





Description

The ladder is made with fiberglass frames and aluminum steps. The total height of the ladder is 10,4 m and it is composed of 4 items, divided as follows:

- 1 Bottom element
- 2 Interchangeable middle elements
- 1 Final element

The ladder has two feet as our VF ladder

or, on request, it can be equipped with two anti-slip rubber feet.

N.B. Safety sleeve is compulsory over 8 m (according to D. Lgs. n° 81/2008)

STEPS: WELD FREE AND RIVETING FREE

Technical Data

WEIGHT CAPACITY: 150 kg
(weight related to a person with tools)

STEPS: aluminum 35x24 mm

FRAMES: fiberglass 88x32 mm

FEET: articulated in rubber and stainless steel

SCREWS/BOLTS: stainless steel

JOINTS AND FIXING HANDWHEEL:

die-casted aluminum

WORKING HEIGHT: 10,40 m

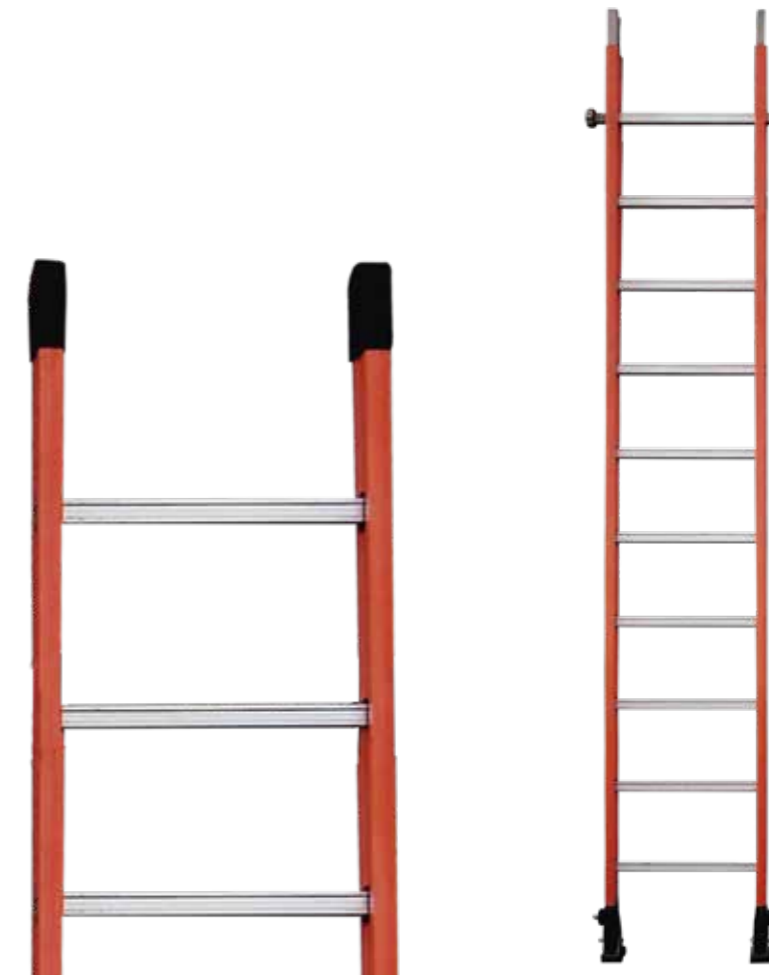
CORRECT INCLINATION: 20°

TOTAL WEIGHT: 48 kg

SAFETY STANDARD:

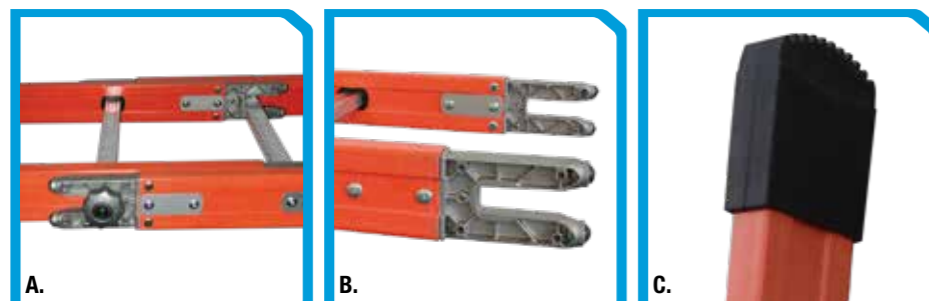
D. Lgs n. 81/2008

Possibility to compose the product with desired elements

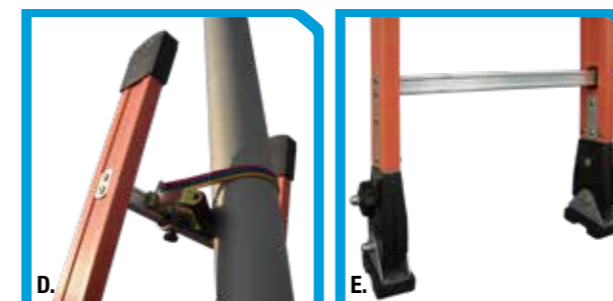


| Code | Description | Elements | Steps | Total Height | Footing Width | Top Width | Weight |
|---------|-------------------------------|----------|-------|--------------|---------------|-----------|--------|
| S4010PV | Bottom section middle element | 3 | 10 | 3155 | 470 | 405 | 12 kg |
| S4007FV | Final element | 1 | 7 | 2200 | 470 | 425 | 8 kg |

The overlap between an element and another measures 430 mm
Measures are in mm



- A. Handwheel detail and grafting elements
- B. Graft
- C. Anti-slip cap



- D. Pole rest detail
- E. Feet detail



To optimize transport the rings can be supplied disassembled

Description

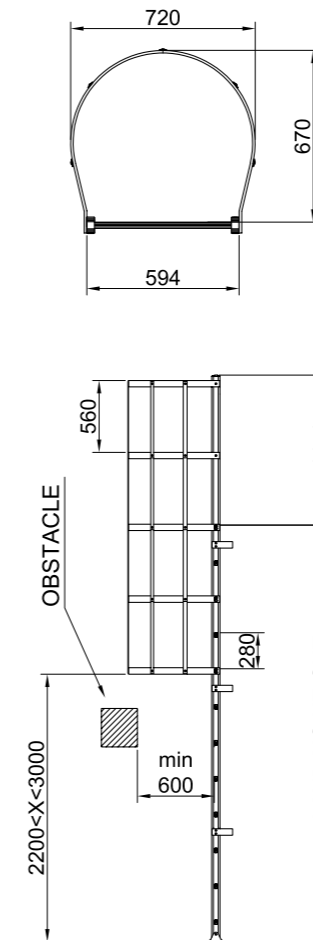
The ladder can be supplied in single or double trunk for both indoor and outdoor use and it offers a total safety for the operator as it is fully protected by a circular structure composed by aluminum rings. It has anodized aluminum frames and anti-slip steps. It is ideal for acces to roofs, terraces, platforms or to carry out inspections to the summit of silos, tanks, pipelines, machinery, etc. It is constructed on request for any height with varius optional available.

STEPS: WELD FREE AND RIVETING FREE

Technical Data

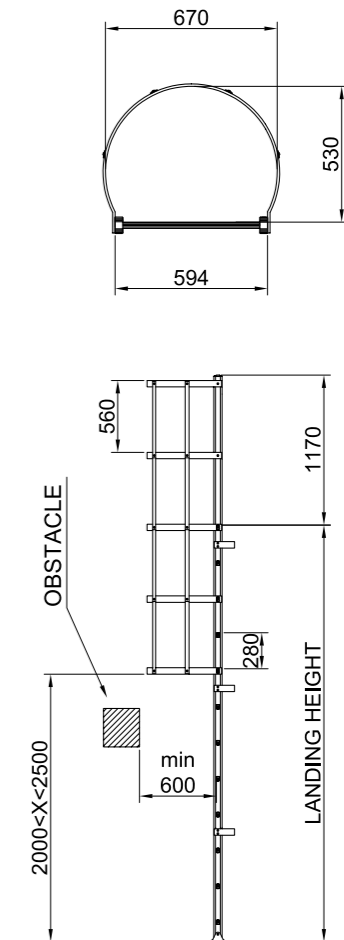
WEIGHT CAPACITY: 150 kg (weight related to a person with tools)
STEPS: aluminum 35x24 mm
FRAMES: anodized aluminum 65x30 mm
SAFETY STANDARD:
 D. Lgs. n° 81/2008 (Italian directives)
 ISO UNI EN 14122-4 (European directives)

Comply with European directives



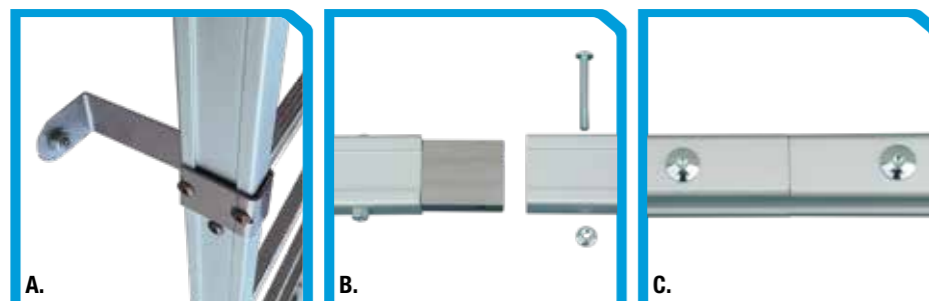
| Code | Description |
|--------------|------------------------------------|
| 549000000216 | Bottom section ISO UNI EN 14122-4 |
| 549000000219 | Bottom element with hooks |
| 549000000217 | Central element ISO UNI EN 14122-4 |
| 549000000218 | Top element ISO UNI EN 14122-4 |

Comply with Italian directives

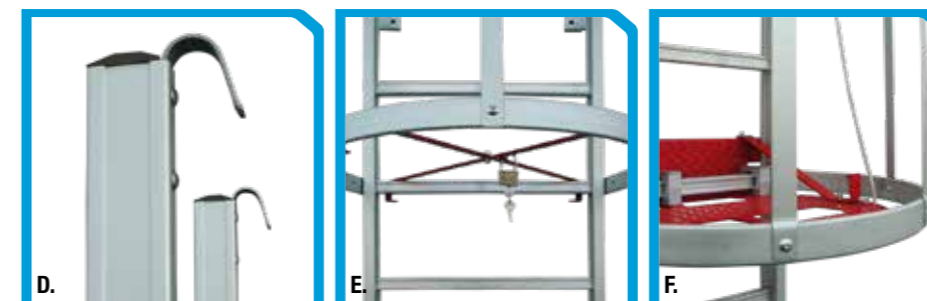


| Code | Description |
|--------------|-----------------------------------|
| 549000000220 | Bottom section D.Lgs. n° 81/2008 |
| 549000000219 | Bottom element with hooks |
| 549000000223 | Central element D.Lgs. n° 81/2008 |
| 549000000222 | Top element D.Lgs. n° 81/2008 |

Measures are in mm



A. 150 mm bracket detail
 B. Graft
 C. Fixing after grafting



D. Bottom element with hooks
 E. Closing climb entry
 F. Platform



Description

The ladder is constructed without welding, with anti-slip steps and die-casted aluminum supports. This ladder can be supplied with nylon rope or Kevlar rope (fireproof material up to 420°).

It can be used in various applications such as: cable cars, tanks into the shafts, vertical ducts, hooked outside of buildings, boats, various cases of emergency (es. rescue by helicopter). If the ladders is used during normal job applications, the operator must wear a body harness UNI EN 361 and connect to a fall arrest system UNI EN 353.2 / UNI EN 360.

STEPS: WELD FREE AND RIVETING FREE

Technical Data

WEIGHT CAPACITY: 150 kg
(weight related to a person with tools)

STEPS: aluminum 35x24 mm

FRAMES: nylon rope or Kevlar rope

TOP WIDTH: 460 mm

SAFETY STANDARD:

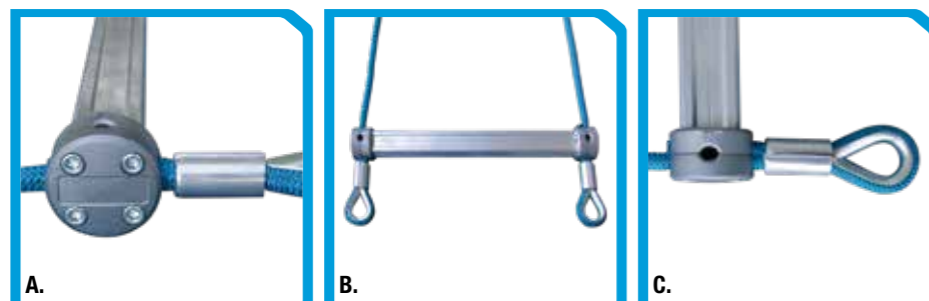
UNI EN 1147 (art. VF COR)

D. Lgs. n° 81/2008 (art. SCOR)

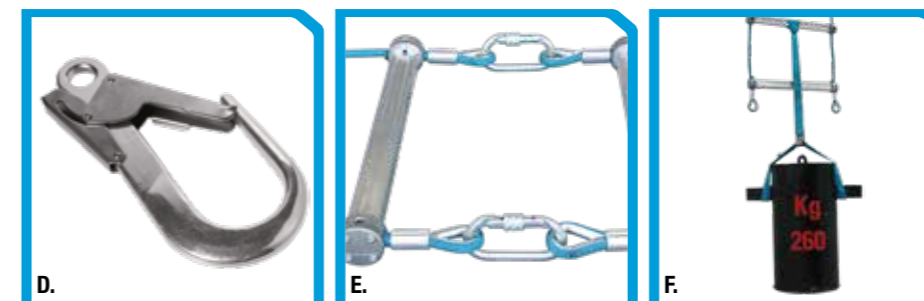


| Code | Rope Material | Steps | Length | Width | Weight |
|--------------|---------------|-------|--------|-------|--------|
| SCOR2 | Nylon | 8 | 2000 | 460 | 5 kg |
| SCOR5 | Nylon | 18 | 5000 | 460 | 13 kg |
| S4541-VF COR | Kevlar® | 8 | 2000 | 460 | 5 kg |
| S4540-VF COR | Kevlar® | 18 | 5000 | 460 | 13 kg |

Measures are in mm



A. Fixing step detail
B. Step
C. Thimble



D. Hook for anchorage of the ladder
E. Snap hook for union of ladder elements
F. Step load test



Description

The ladder is made of anodized aluminum and it is designed for the special needs of firefighters and Civil Protection.

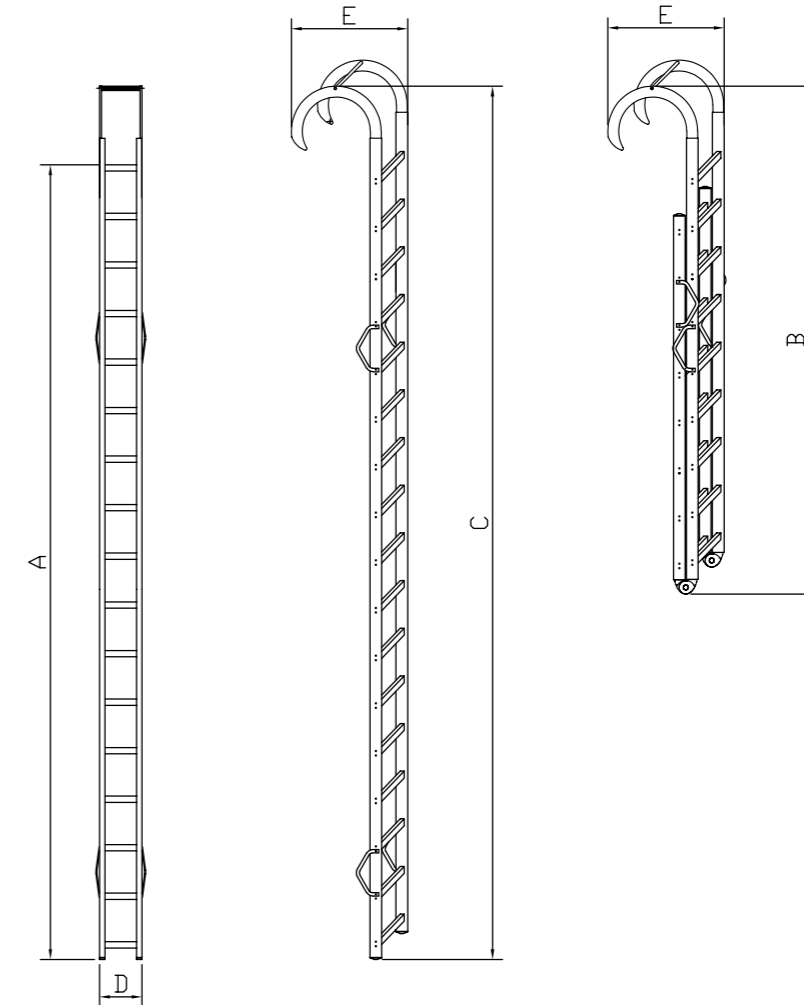
It is available in 2 versions:

- Folding
- Fixed

STEPS: WELD FREE AND RIVETING FREE

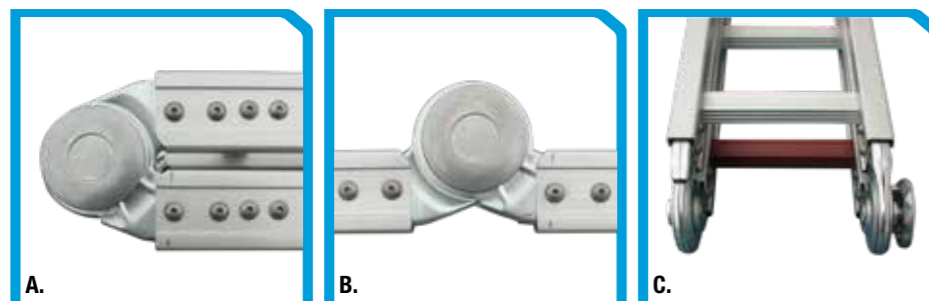
Technical Data

WEIGHT CAPACITY: 150 kg
(weight related to a person with tools)
STEPS: aluminum 35x24 mm
FRAMES: anodized aluminum 65x30 mm
TOP WIDTH: 240 mm
SAFETY STANDARD:
UNI EN 1147

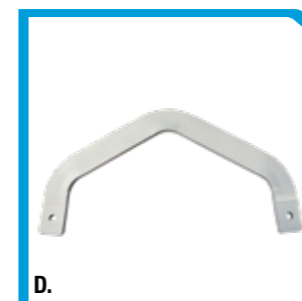


| Code | Steps | Model | A | B | C | D | E | Weight |
|----------|-------|---------|------|------|------|-----|-----|---------|
| S4520-VF | 17 | Fixed | 4420 | / | 4860 | 240 | 500 | 14,4 kg |
| S4521-VF | 17 | Folding | 4420 | 2650 | 4860 | 240 | 500 | 15,8 kg |

Measures are in mm



- A. Closed articulated joint
- B. Open articulated joint
- C. Anodized red step



D. Wall spacer detail



Description

The ladder is made of anodized aluminum and it is designed for the special needs of firefighters and Civil Protection.

The total height of the ladder is 10,4 m and it is composed of 4 items, divided as follows:

- 1 Bottom element
- 2 Interchangeable middle elements
- 1 Final element

STEPS: WELD FREE AND RIVETING FREE

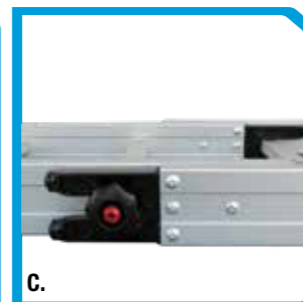
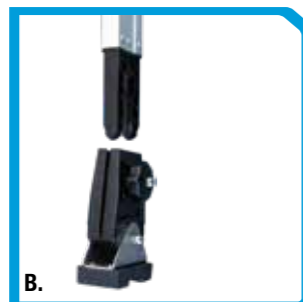
Technical Data

WEIGHT CAPACITY: up to 3 people
STEPS: anodized, anti-slip, aluminum 35x24 mm
FRAMES: anodized aluminum 88x30mm
FEET: articulated in rubber and stainless steel
SCREWS/BOLTS: stainless steel
JOINTS AND FIXING HANDWHEEL: die-casted aluminum
WORKING HEIGHT: 10,40 m
CORRECT INCLINATION: 20°
TOTAL WEIGHT: 52,30 kg
SAFETY STANDARD: UNI EN 1147

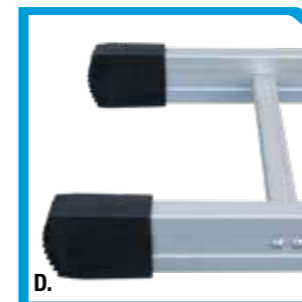


| Code | Description | Elements | Steps | Total Height | Footing Width | Top Width | Weight |
|----------|-------------------------------|----------|-------|--------------|---------------|-----------|---------|
| S4510IVF | Bottom section middle element | 3 | 10 | 3155 | 470 | 405 | 13,2 kg |
| S4507FVF | Final element | 1 | 7 | 2200 | 470 | 425 | 9 kg |

The overlap between an element and another measures 430 mm
Measures are in mm



A. Articulated feet detail
 B. Foot graft
 C. Handwheel to graft elements



D. - E. Cap for final and middle elements



SCAFFOLDS



Description

It is made of anodized aluminum profiles; it is light and easy to carry. It can be folded with final dimensions of only 1780x650x420mm. It reaches an height of 2760mm when it is open. It can also be used on stairs and on inclined surfaces.

The base is equipped with 4 rotating wheels with brakes and with a special device having a central handle that allows locking of the hinges during use for additional security.

STEPS: WELD FREE AND RIVETING FREE

Technical Data

WEIGHT CAPACITY: 150 kg
(weight related to a person with tools)

STEPS: aluminum 35x24 mm

FRAMES, ELEMENTS, EXTENSIONS:
aluminum 65x30 mm

WHEELS: rotating with brake \varnothing 100 mm

BOARD: wood 1600x470x30 mm

SAFETY STANDARD:

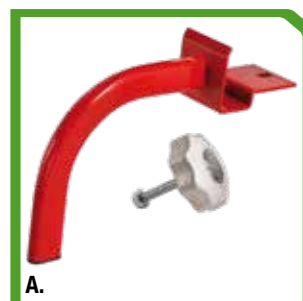
D. Lgs. n° 81/2008



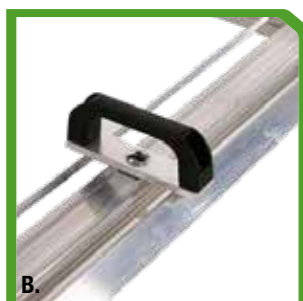
| Code | Description | Weight |
|--------|---------------|---------|
| S6100A | Base | 21 kg |
| S6200A | Board | 10,5 kg |
| S6300A | Extension | 5 kg |
| S6500A | Final Element | 1 kg |
| S6400A | Stabilizer | 0,5 kg |

| Complete mobile scaffolding | |
|-----------------------------|----------|
| Working height | 1630 |
| Total height | 2760 |
| Base dimension | 1780x650 |
| Total height when closed | 420 |
| Total weight | 43,5 kg |

Measures are in mm



A.

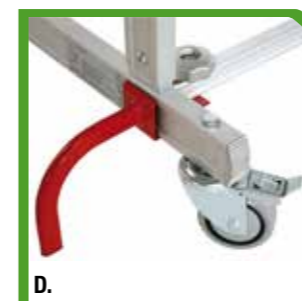


B.



C.

- A. Lateral stabilizer
- B. Central handle with locking hinges
- C. Possibility of use on stairwells



D.

D. Brake wheel detail

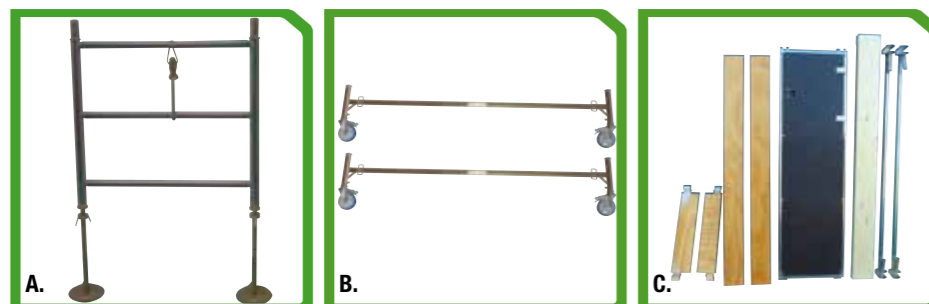


Description

It is made of galvanized steel profiles \varnothing 40mm; it is light and easy to carry and it can be completely disassembled and folded. When mounted it reaches an height of 2850mm. It can also be used on stairs and on inclined surfaces. The base is equipped with 4 rotating wheels with brakes

Technical Data

WEIGHT CAPACITY: 150 kg
(weight related to a person with tools)
STEPS: galvanized steel 40x20mm
FRAMES, ELEMENTS, EXTENSIONS: galvanized steel \varnothing 40 mm
WHEELS: rotating with brake \varnothing 125 mm
BOARD: wood 2000x800x30 mm
SAFETY STANDARD:
D. Lgs. n° 81/2008



A. Accessory for use on stairwell
B. Simple base
C. Work top components



| Code | Description | Total height structure | 1,85 m | 2,85 m |
|--------|--|------------------------|-----------------|-----------------|
| S6050 | Simple base with wheels \varnothing 125 mm | | 1 | 1 |
| S6030 | 1,50 metres ladder element | | 2 | 2 |
| S6040 | Joint element | | 2 | 4 |
| S6050L | Cross long tie rod | | 2 | 2 |
| S6050M | Medium tie rod | | 2 | 2 |
| S6029 | 1,00 metre ladder element | | 0 | 2 |
| S6050C | Short tie rod | | 0 | 4 |
| S6060 | Resined support in alluminium with trapdoor | | 1 | 1 |
| S6060A | Longitudinal toe board 2,00 metres side | | 2 | 2 |
| S6060B | Transversal toe board 0,80 metres side | | 2 | 2 |
| S6060C | 2,00 metres wooden boards | | 1 | 1 |
| S6070 | Working parapet with 40mm wedge | | 4 | 4 |
| S6090 | Accessory for use on stairwell | | 0 | 0 |
| | | Weight | 37,80 Kg | 54,60 Kg |

* A top can be made with 3 wooden boards



SCAFFOLDING

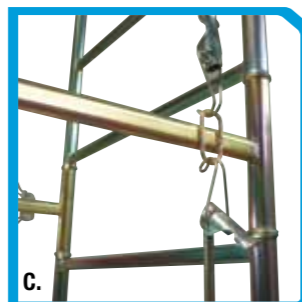
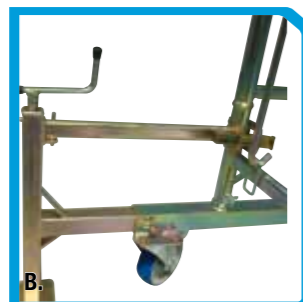
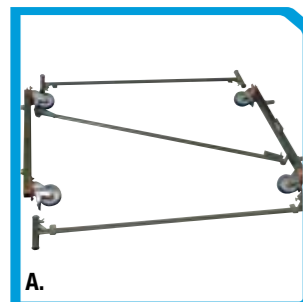


Description

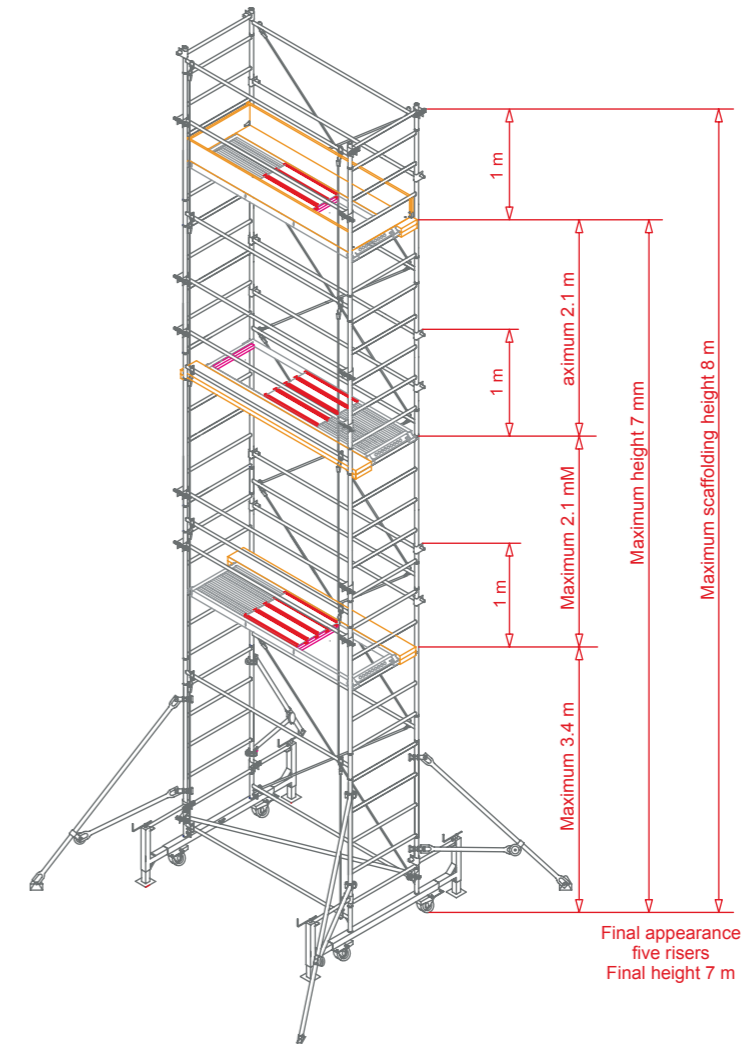
The scaffolding is made with galvanized steel pipes, it is composed of vertical ladder elements (round section frames \varnothing 40 mm and rectangular anti-slip steps section 40x20 mm) and horizontal elements of junction with oval section 30x15 mm. It is easy to transport, light, practical and safe.

Technical Data

WEIGHT CAPACITY: 200 kg x m²
MATERIAL: galvanized steel 40x20 mm
WHEELS: rotating with brake \varnothing 150 mm
BASE DIMENSION: 2000x1200 mm
MAXIMUM WORKING HEIGHT: 7000 mm
TOTAL STRUCTURE HEIGHT: 8000 mm
SAFETY STANDARD: UNI EN 1004



A. Disassembled extension base
 B. Leveler with strut
 C. Tie rod-cross fixing



| Code | Description | Total height structure | 2,0m | 3,0 m | 3,5 m | 4,5 m | 5,0 m | 6,0 m | 6,5 m | 7,5 m | 8,0 m |
|---------------|---|------------------------|---------------|---------------|---------------|---------------|---------------|---------------|---------------|---------------|---------------|
| S8020 | Couple of crossbars with wheels | | 1 | 1 | 1 | 1 | 1 | 1 | 1 | 1 | 1 |
| S8020A | Base joint crossbars 2,00 metres | | 2 | 2 | 2 | 2 | 2 | 2 | 2 | 2 | 2 |
| S8020B | Base diagonal reinforce | | 1 | 1 | 1 | 1 | 1 | 1 | 1 | 1 | 1 |
| S8030 | 1,50 metres ladder element | | 2 | 2 | 4 | 4 | 6 | 6 | 8 | 8 | 10 |
| S8040 | Joint element | | 2 | 4 | 4 | 6 | 6 | 8 | 8 | 10 | 10 |
| S8050L | Cross long tie rod | | 2 | 2 | 4 | 4 | 6 | 6 | 8 | 8 | 10 |
| S8050M | Medium tie rod | | 2 | 2 | 4 | 4 | 6 | 6 | 8 | 8 | 10 |
| S8029 | 1,00 metre ladder element | | 0 | 2 | 0 | 2 | 0 | 2 | 0 | 2 | 0 |
| S8050C | Short tie rod | | 0 | 4 | 0 | 4 | 0 | 4 | 0 | 4 | 0 |
| S8060 | Resined support in alluminium with trapdoor | | 1 | 1 | 1 | 1 | 2 | 2 | 2 | 3 | 3 |
| S8060A | Longitudinal toe board 2,00 metres side | | 2 | 2 | 2 | 2 | 2 | 2 | 2 | 2 | 2 |
| S8060B | Transversal toe board 0,80 metres side | | 2 | 2 | 2 | 2 | 2 | 2 | 2 | 2 | 2 |
| S8060C | 2,00 metres wooden boards | | 1 | 1 | 1 | 1 | 2 | 2 | 2 | 3 | 3 |
| S8070 | Working parapet with 40mm wedge | | 4 | 4 | 4 | 4 | 8 | 8 | 8 | 12 | 12 |
| S8080 | Stabilizer | | 4 | 4 | 4 | 4 | 4 | 4 | 4 | 4 | 4 |
| S8080A | Stabilizer strut | | 4 | 4 | 4 | 4 | 4 | 4 | 4 | 4 | 4 |
| S8090 | Wind bracing installations | | 0 | 0 | 0 | 0 | 0 | 4 | 4 | 4 | 4 |
| Weight | | | 113 Kg | 130 Kg | 137 Kg | 154 Kg | 194 Kg | 239 Kg | 246 Kg | 297 Kg | 304 Kg |

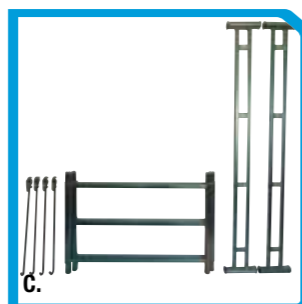


Description

The scaffolding is made with galvanized steel pipes, it is composed of vertical ladder elements (round section frames \varnothing 48 mm and rectangular anti-slip steps section 40x20 mm) and horizontal elements of junction with rectangular section 30x15 mm. It is easy to transport, light, practical and safe.

Technical Data

WEIGHT CAPACITY: 200 kg x m²
MATERIAL: galvanized steel 40x20 mm
WHEELS: rotating with brake \varnothing 200 mm
BASE DIMENSION: 1200x2000 mm
MAXIMUM WORKING HEIGHT: 12500 mm
TOTAL STRUCTURE HEIGHT: 13500 mm
SAFETY STANDARD: UNI EN 1004



- A. Leveler with brake wheel and strut
- B. Composition with work top from 1,50m
- C. Composition with work top from 1,0m



| Code | Description | Total height structure | 3 m | 3,5 m | 4,5 m | 5 m | 6 m | 6,5 m | 7,5 m | 8 m | 9 m | 9,5 m | 10,5 m | 11 m | 12 m | 12,5 m | 13,5 m |
|---------------|--|------------------------|--------|--------|--------|--------|--------|--------|--------|--------|--------|--------|--------|--------|--------|--------|--------|
| S700F | Base with wheels | | 1 | 1 | 1 | 1 | 1 | 1 | 1 | 1 | 1 | 1 | 1 | 1 | 1 | 1 | 1 |
| S7005 | 1,50 metres ladder element | | 2 | 4 | 4 | 6 | 6 | 8 | 8 | 10 | 10 | 12 | 12 | 14 | 14 | 16 | 16 |
| S7010 | Joint element | | 4 | 4 | 6 | 6 | 8 | 8 | 10 | 10 | 12 | 12 | 14 | 14 | 16 | 16 | 18 |
| S7020L | Cross long tie rod | | 2 | 4 | 4 | 6 | 6 | 8 | 8 | 10 | 10 | 12 | 12 | 14 | 14 | 16 | 16 |
| S7020M | Medium tie rod | | 2 | 4 | 4 | 6 | 6 | 8 | 8 | 10 | 10 | 12 | 12 | 14 | 14 | 16 | 16 |
| S7003 | 1,00 metre ladder element | | 2 | 0 | 2 | 0 | 2 | 0 | 2 | 0 | 2 | 0 | 2 | 0 | 2 | 0 | 2 |
| S7020C | Short tie rod | | 4 | 0 | 4 | 0 | 4 | 0 | 4 | 0 | 4 | 0 | 4 | 0 | 4 | 0 | 4 |
| S7050 | Resined support in alluminium with trapdoor | | 1 | 1 | 1 | 2 | 2 | 2 | 3 | 3 | 4 | 4 | 4 | 5 | 5 | 5 | 5 |
| S7060 | Resined support in alluminium without trapdoor | | 1 | 1 | 1 | 2 | 2 | 2 | 3 | 3 | 4 | 4 | 4 | 5 | 5 | 5 | 5 |
| S7070 | Longitudinal toe board 2,00 metres side | | 2 | 2 | 2 | 2 | 2 | 2 | 2 | 2 | 2 | 2 | 2 | 2 | 2 | 2 | 2 |
| S7071 | Transversal toe board 1,20 metres side | | 2 | 2 | 2 | 2 | 2 | 2 | 2 | 2 | 2 | 2 | 2 | 2 | 2 | 2 | 2 |
| S7080 | 2,00 metres wooden boards | | | | | | | | | | | | | | | | |
| S7030 | Working parapet with 48mm wedge | | 4 | 4 | 4 | 8 | 8 | 8 | 12 | 12 | 16 | 16 | 16 | 20 | 20 | 20 | 20 |
| S7040 | Stabilizer | | 4 | 4 | 4 | 4 | 4 | 4 | 4 | 4 | 4 | 4 | 4 | 4 | 4 | 4 | 4 |
| S7041 | Stabilizer strut | | 4 | 4 | 4 | 4 | 4 | 4 | 4 | 4 | 4 | 4 | 4 | 4 | 4 | 4 | 4 |
| S7090 | Wind bracing installations | | 4 | 4 | 4 | 4 | 4 | 4 | 4 | 4 | 4 | 4 | 4 | 4 | 4 | 4 | 4 |
| Weight | | | 189 Kg | 201 Kg | 223 Kg | 274 Kg | 325 Kg | 337 Kg | 398 Kg | 411 Kg | 471 Kg | 484 Kg | 506 Kg | 557 Kg | 579 Kg | 592 Kg | 614 Kg |

* Resined top in alluminium without trapdoor can be replaced by 2 wooden boards code S7080



SAFETY KIT

Scaffolding Safety kit

In order to facilitate the operator on scaffolding in the selection of personal protective equipment, Italscale proposes a basic individual kit that can satisfy the most common needs.



Safety kit Metal Structures

In order to facilitate the operator on scaffolding in the selection of personal protective equipment, Italscale proposes a basic individual kit that can satisfy the most common needs.



Ladders Safety kit

The ladder, if positioned as indicated by the producer, has sufficient stability to be used as a constraint element of a positioning system.
The kit for ladders is not a fall arrester system but a positioning system that offers the possibility to free both hands.



graphic - prepress - print
grafichepegaso.it

Italscale srl

Via Uruguay, 33
35127 PADOVA
+39 049 0998756
info@italscalesrl.it
www.italscalesrl.it



save contact